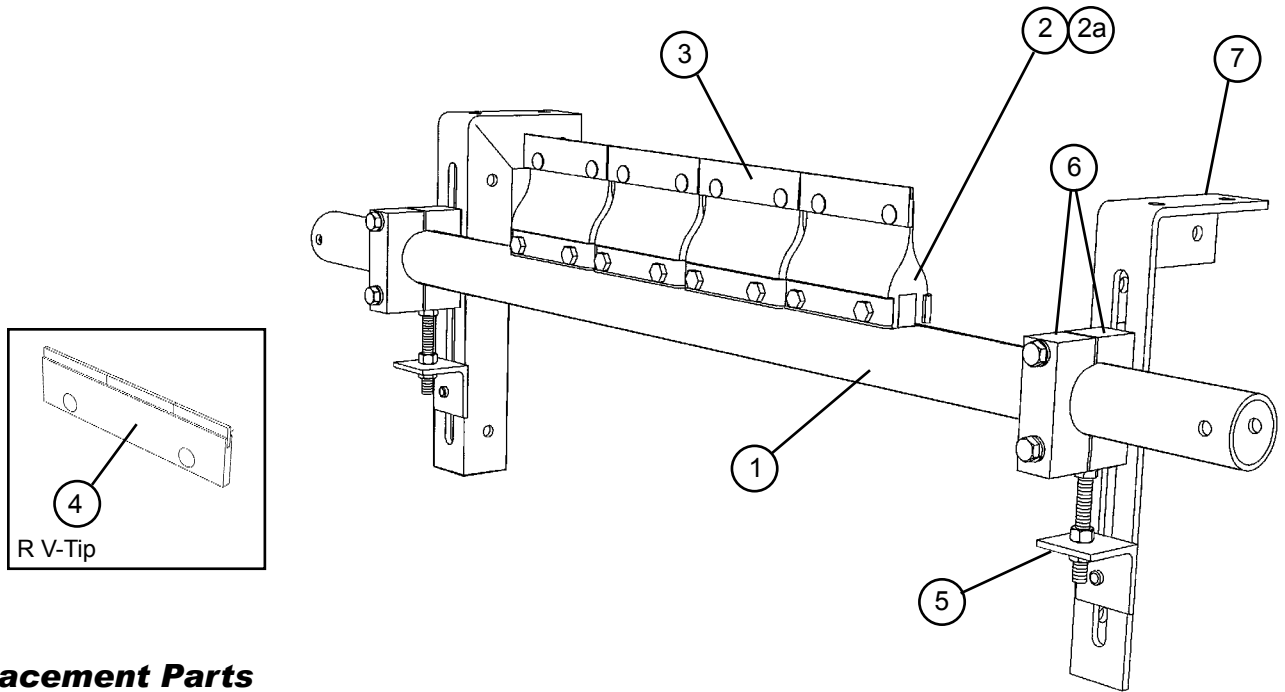


Eliminator® Belt Cleaning Systems

R-Type® Belt Cleaner

REPLACEMENT PARTS LIST



Replacement Parts

REF	DESCRIPTION	ORDERING NUMBER	ITEM CODE	WT. LBS.
1	18" (450mm) Pole	RP18	74604	23.9
	24" (600mm) Pole	RP24	74605	27.8
	30" (750mm) Pole	RP30	74606	31.1
	36" (900mm) Pole	RP36	74607	35.2
	42" (1050mm) Pole	RP42	74608	45.6
	48" (1200mm) Pole	RP48	74609	50.6
	54" (1350mm) Pole	RP54	74610	56.6
	60" (1500mm) Pole	RP60	74611	62.7
	72" (1800mm) Pole	RP72	74612	71.4
2	R2 C-Tip Cushion*	RCC2	75838	2.0
2a	R-Type Cushion Neoprene* (oil resistant)	RNC	74985	3.0
3	C-Tip Kit* (1 ea.)	ICT6	74535	0.7
4	R V-Tip* (for vulcanized belts only)	RVT6	74646	1.3
5	Adjusting Bracket Kit* (1 ea.)	EZS2ABK	75664	2.0
6	Pole Clamp Kit* (1 ea.)	EZS2PCK	75665	10.0
7	Mounting Bracket Kit (1 Right and 1 Left)	EZS2MBK	75666	13.0
-	Mounting Kit* (incl. 2 ea. items 5 & 6 and 1 ea. item 7)	EZS2MK	75667	31.5
-	Select Set™ Tension Kit* (incl. 1 ea. items 5 & 6)	SSTK	74883	34.0

*Hardware included
Lead time: 1 working day



1995 Oak Industrial Dr. NE • Grand Rapids, MI 49505 U.S.A.
Telephone: (616)-459-3196 • Fax: (616)-459-4976 • E-mail: info@flexco.com • Web: www.flexco.com

Australia: 61-2-9680-3322 • China: 86-21-33528388 • England: 44-1274-600-942
Germany: 49-7428-9406-0 • Mexico: 52-55-5674-5326 • South Africa: 27-11-608-4180

©2008 Flexible Steel Lacing Company. Rockline® is a registered trademark, and Select Set™ is a trademark.
U.S. Patent No. 6,823,983. 07/08. For Reorder: X0958

