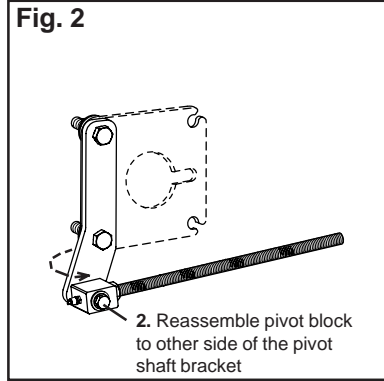
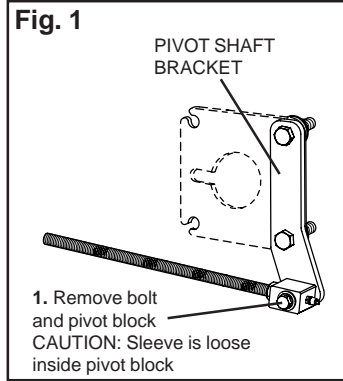
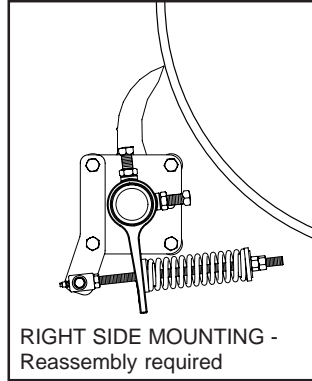
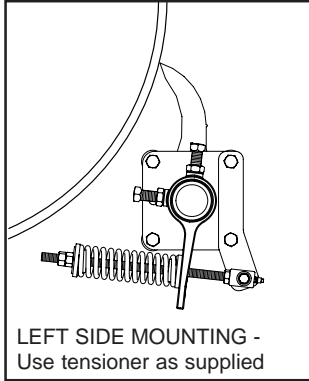




# Instructions for Changing Mounting Side of the EST Tensioner

## 1a. Assemble tensioner for the selected side of the cleaner (as you face the head pulley).



**LEFT SIDE MOUNTING** - Use tensioner as supplied.

**RIGHT SIDE MOUNTING** - *Requires reassembly.* **1.** Remove the bolt, washers and pivot block from pivot shaft bracket (Fig. 1). **CAUTION:** Sleeve is loose inside pivot block. **2.** Reassemble the pivot block, bolt and washers on the other side of the pivot shaft bracket (Fig. 2).

