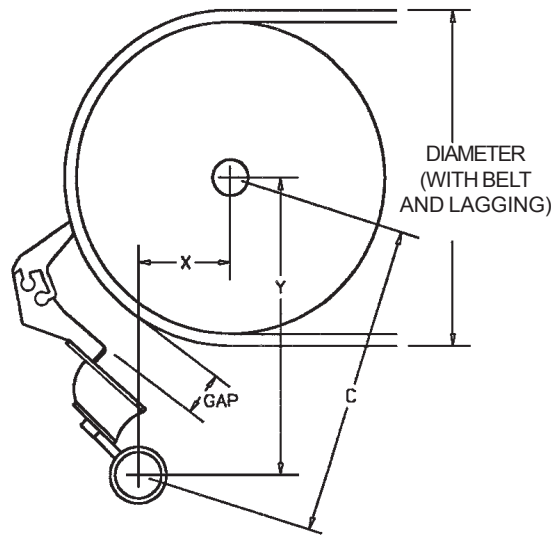


Cleaner Pole Location Chart

for H-Type® Cleaners

with XF2-Tips

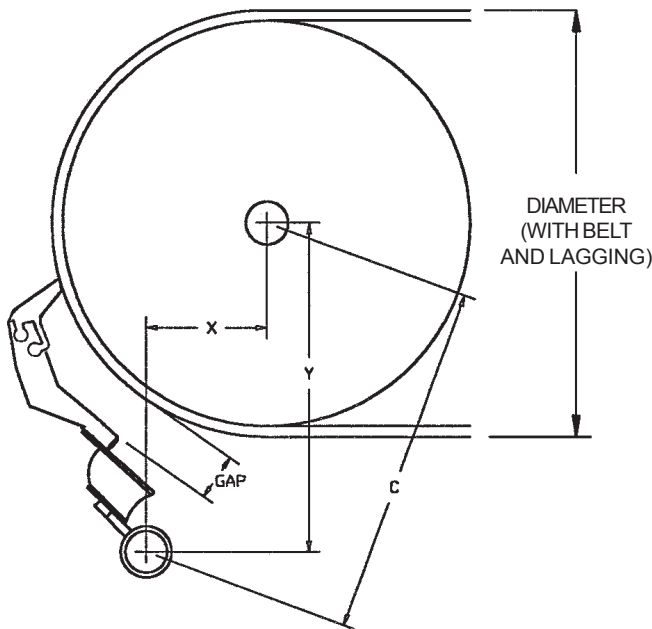


Extra Small (SS) XF2-Tips for Head Pulley Diameters 10" to 19"

DIAMETER (OVER BELT)	X	Y	C	GAP
10	2	11-7/8	12	2-3/8
11	2-1/2	12	12-1/4	2-1/4
12	2-7/8	12-1/8	12-1/2	2-1/8
13	3-3/8	12-1/4	12-3/4	2
14	3-7/8	12-3/8	13	1-7/8
15	4-3/8	12-1/2	13-1/4	1-3/4
16	4-7/8	12-5/8	13-1/2	1-5/8
17	5-3/8	12-3/4	13-7/8	1-1/2
18	5-7/8	12-7/8	14-1/8	1-1/2
19	6-1/4	13	14-1/2	1-3/8
20	6-3/4	13-1/8	14-7/8	1-3/8
21	7-1/4	13-1/4	15-1/8	1-1/4
22	7-3/4	13-3/8	15-1/2	1-1/4
23	8-1/4	13-1/2	15-7/8	1-1/8
24	8-3/4	13-3/4	16-1/4	1-1/8
25	9-1/4	13-7/8	16-5/8	1-1/8

□ Recommended range for tip size
 ■ Optional extended range

Small (S) XF2-Tips for Head Pulley Diameters 20" to 31"



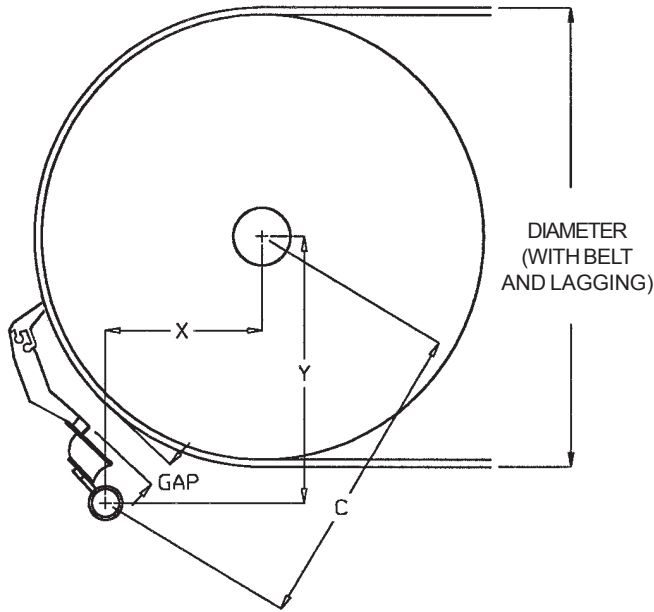
DIAMETER (OVER BELT)	X	Y	C	GAP
14	2-3/4	14-5/8	14-7/8	3-1/8
15	3-1/4	14-3/4	15	2-7/8
16	3-3/4	14-7/8	15-1/4	2-3/4
17	4-1/4	15	15-1/2	2-5/8
18	4-5/8	15-1/8	15-3/4	2-1/2
19	5-1/8	15-1/4	16-1/8	2-1/4
20	5-5/8	15-3/8	16-3/8	2-1/8
21	6-1/8	15-1/2	16-5/8	2-1/8
22	6-5/8	15-5/8	17	2
23	7-1/8	15-3/4	17-1/4	1-7/8
24	7-5/8	15-7/8	17-5/8	1-3/4
25	8	16	17-7/8	1-3/4
26	8-1/2	16-1/8	18-1/4	1-5/8
27	9	16-1/4	18-5/8	1-1/2
28	9-1/2	16-3/8	19	1-1/2
29	10	16-1/2	19-1/4	1-3/8
30	10-1/2	16-5/8	19-5/8	1-3/8
31	11	16-3/4	20	1-1/4
32	11-1/2	16-7/8	20-3/8	1-1/4
33	11-7/8	17	20-3/4	1-1/8
34	12-3/8	17-1/8	21-1/8	1-1/8
35	12-7/8	17-1/4	21-1/2	1
36	13-3/8	17-3/8	22	1
37	13-7/8	17-1/2	22-3/8	1

□ Recommended range for tip size
 ■ Optional extended range

Cleaner Pole Location Chart

for H-Type® Cleaners

with XF2-Tips



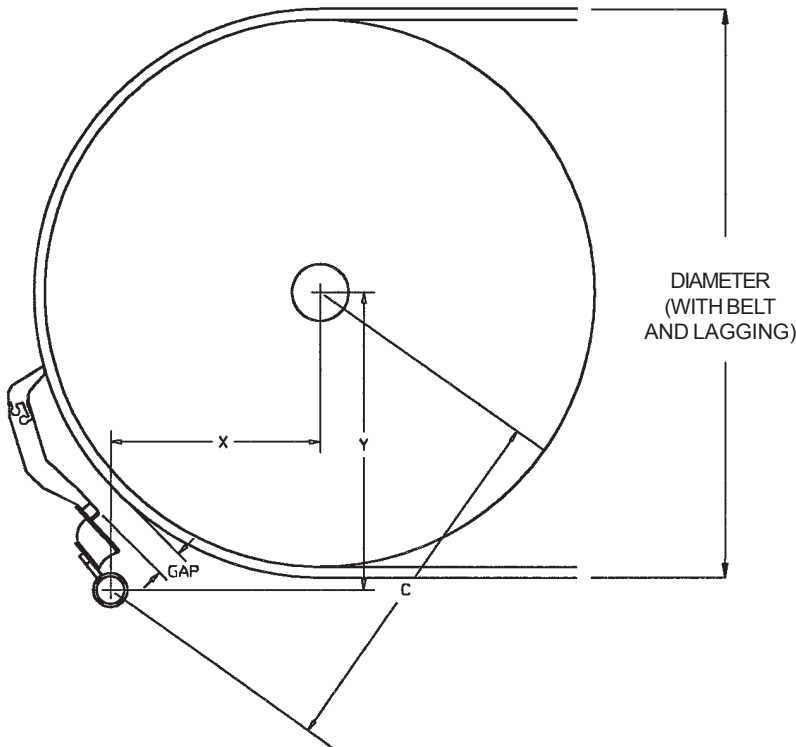
Medium (M) XF2-Tips

for Head Pulley

Diameters 32" to 39"

DIAMETER (OVER BELT)	X	Y	C	GAP
26	8-1/8	17-3/4	19-1/2	2-1/2
27	8-5/8	17-7/8	19-7/8	2-3/8
28	9-1/8	18	20-1/8	2-1/4
29	9-5/8	18-1/8	20-1/2	2-1/4
30	10	18-1/4	20-7/8	2-1/8
31	10-1/2	18-3/8	21-1/4	2
32	11	18-1/2	21-5/8	2
33	11-1/2	18-5/8	21-7/8	1-7/8
34	12	18-3/4	22-1/4	1-3/4
35	12-1/2	18-7/8	22-5/8	1-3/4
36	13	19	23	1-5/8
37	13-1/2	19-1/8	23-3/8	1-5/8
38	13-7/8	19-3/8	23-3/4	1-1/2
39	14-3/8	19-1/2	24-1/4	1-1/2
40	14-7/8	19-5/8	24-5/8	1-3/8
41	15-3/8	19-3/4	25	1-3/8
42	15-7/8	19-7/8	25-3/8	1-3/8
43	16-3/8	20	25-3/4	1-1/4
44	16-7/8	20-1/8	26-1/4	1-1/4
45	17-1/4	20-1/4	26-5/8	1-1/4

□ Recommended range for tip size
 ■ Optional extended range



Large (L) XF2-Tips

for Head Pulley

Diameters 40" to 47"

DIAMETER (OVER BELT)	X	Y	C	GAP
34	11-3/4	20-1/8	23-1/4	2-3/8
35	12-1/4	20-1/4	23-5/8	2-1/4
36	12-3/4	20-3/8	24	2-1/8
37	13-1/4	20-1/2	24-3/8	2-1/8
38	13-3/4	20-5/8	24-3/4	2
39	14-1/4	20-3/4	25-1/8	2
40	14-3/4	20-7/8	25-1/2	1-7/8
41	15-1/8	21	25-7/8	1-3/4
42	15-5/8	21-1/8	26-1/4	1-3/4
43	16-1/8	21-1/4	26-3/4	1-5/8
44	16-5/8	21-3/8	27-1/8	1-5/8
45	17-1/8	21-1/2	27-1/2	1-5/8
46	17-5/8	21-5/8	27-7/8	1-1/2
47	18-1/8	21-3/4	28-1/4	1-1/2
48	18-5/8	21-7/8	28-3/4	1-3/8
49	19	22	29-1/8	1-3/8
50	19-1/2	22-1/8	29-1/2	1-3/8
51	20	22-1/4	30	1-1/4
52	20-1/2	22-3/8	30-3/8	1-1/4
53	21	22-5/8	30-3/4	1-1/4

□ Recommended range for tip size
 ■ Optional extended range