

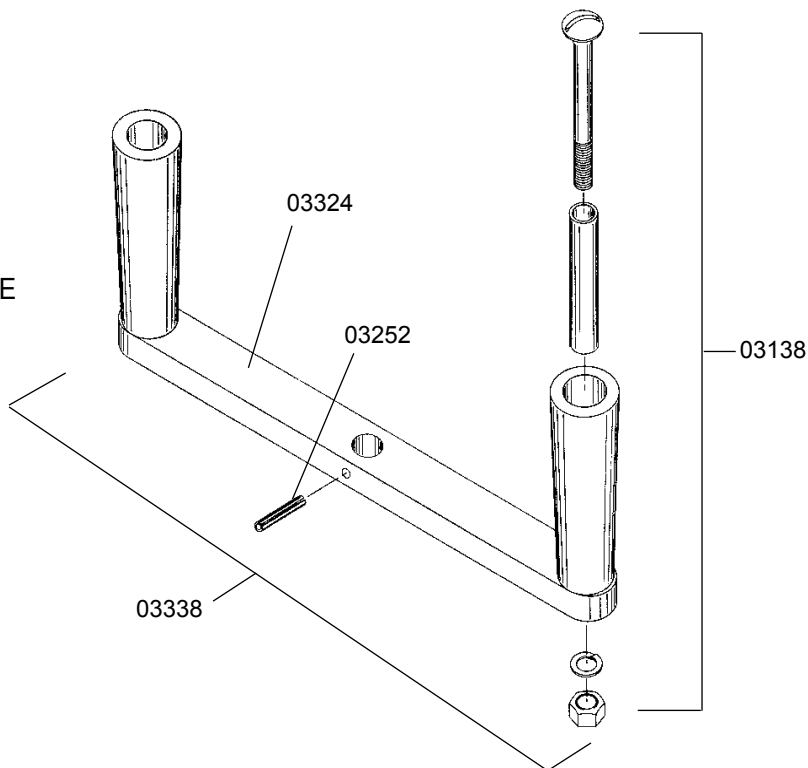
MICROLACER[®] PARTS LIST

FOR MICROLACERS WITH SERIAL NUMBERS UP TO 29999



DRIVE HANDLE

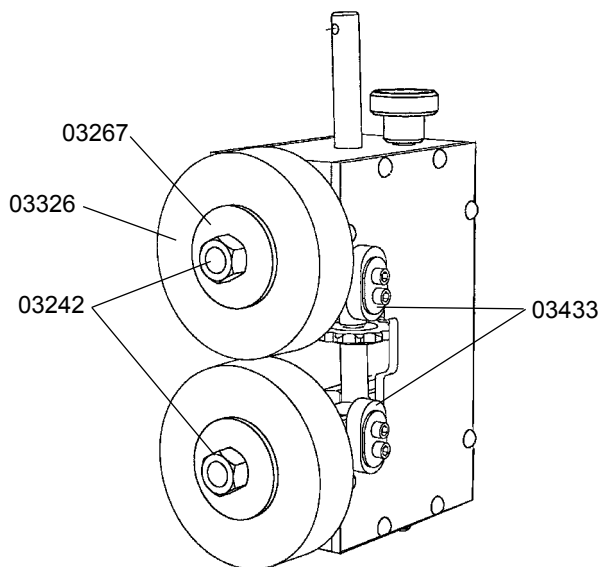
- 03138 PLASTIC DRIVE KNOB ASSEMBLY
- 03252 3/16 x 1" SPRING PIN
- 03324 DRIVE HANDLE
- 03338 DRIVE HANDLE ASSEMBLY, COMPLETE



LACER HEAD

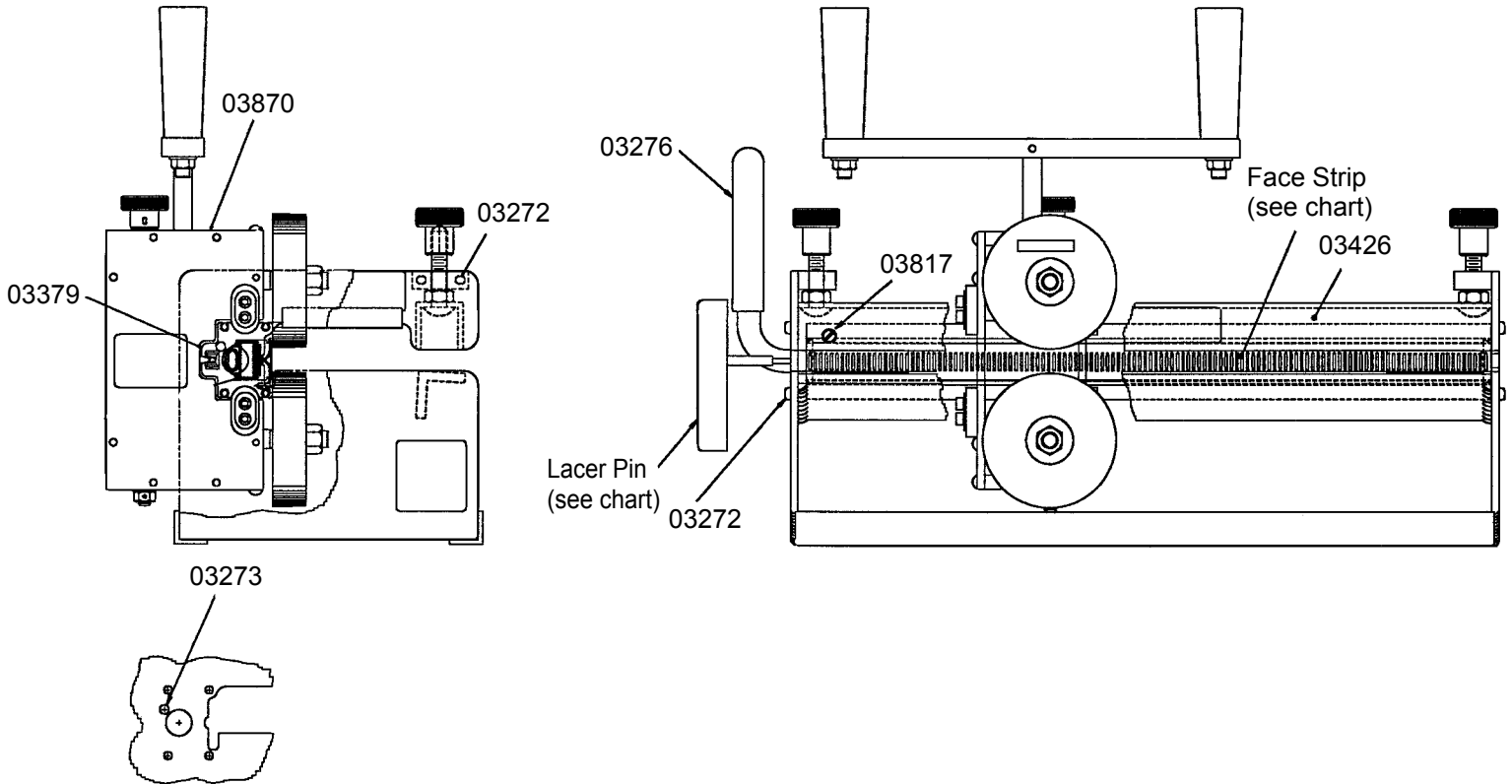
- 03242 NYLON LOCK NUT
- 03267 FLAT WASHER
- 03326 ROLLER ASSEMBLY (Set of 2)
- 03870 HEAD UPDATE KIT, MICROLACER
- 03433 GUIDE BLOCK REPLACEMENT KIT

NOTE: Internal component parts for the lacer head assembly are not sold separately. If you wish to have the lacer head assembly repaired, please send it to the factory.



LACER BODY

- 03817 Face Strip Knob
- 03272 Screw, Slotted Hex Washer Head
- 03273 Spring Pin, 1/4 x 1/2
- 03276 Lever Cap
- 03870 Head Update Kit, Microlacer
- 03379 Extruded Body to Chain Assy, 14"
- 03426 Belt Clamp Assy, Microlacer



FACE STRIP KITS

DESCRIPTION	HOOK SIZES #36, UCM36	HOOK SIZE #30	HOOK SIZES #1, UX-1, UX-1 SP	HOOK SIZES #2 - #4, U1 - U3	HOOK SIZES #4-1/2 - #7, U4 - U5
Microlacer Face Strip Kit *	04019	19705	04014	04024	04029
Microlacer Pin	03996	03996	03996	04001	

*Face strip kits include the appropriate size lacer pin; lacer pins may also be purchased separately.



1995 Oak Industrial Dr. NE • Grand Rapids, MI 49505 U.S.A.
 Telephone: (616)-459-3196 • Fax: (616)-459-4976 • E-mail: info@flexco.com • Web: www.flexco.com

