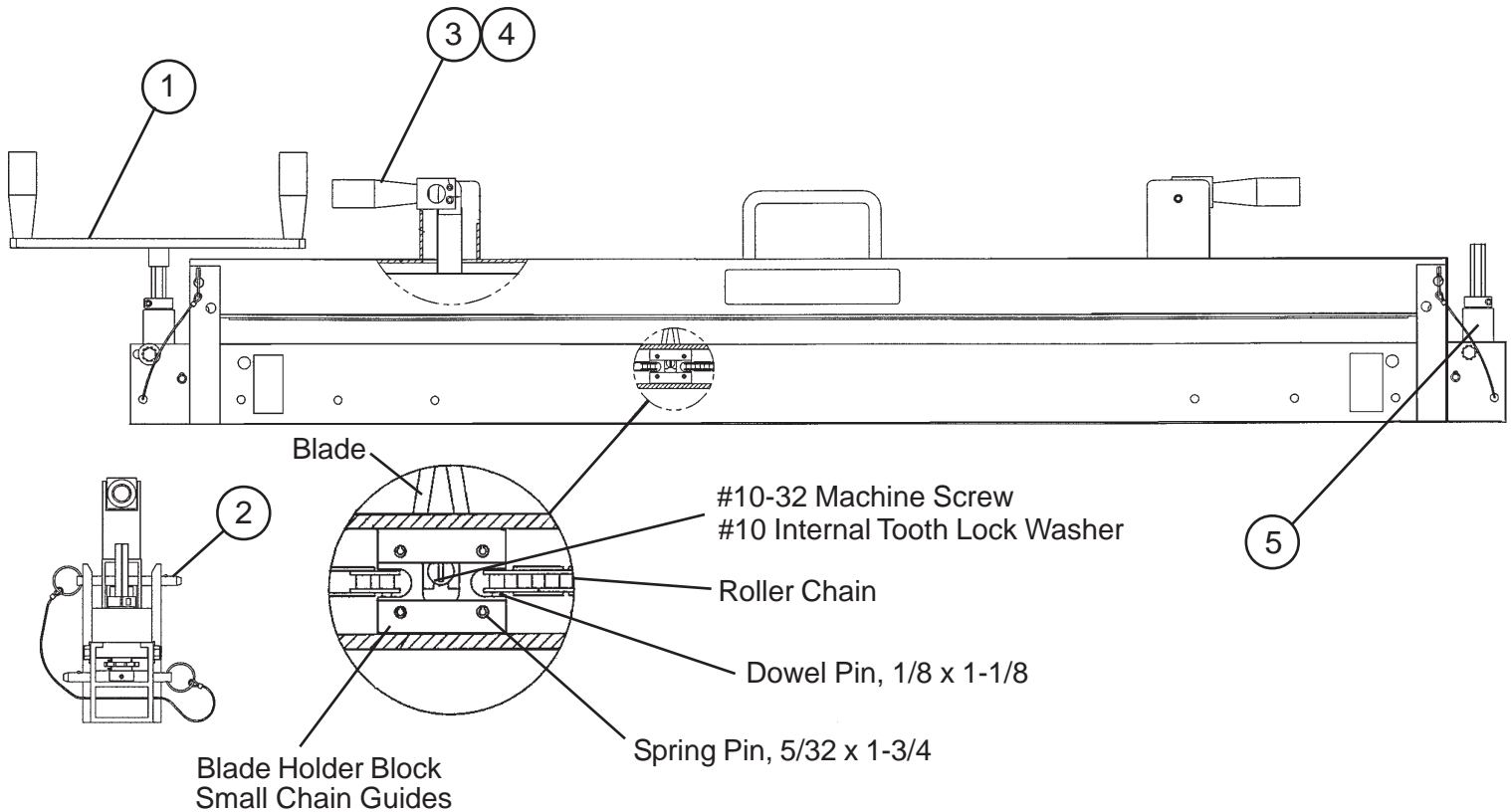


Flexco® 840/845 Aluminum Belt Cutter

REPLACEMENT PARTS LIST



REF.	ORDERING NUMBER	DESCRIPTION	TOOL WIDTH	ITEM CODE
1	820/840WA	Wrench Assembly		32272
2	840RP	Release Pin and Lanyard		03765
3	03245	Plastic Handle		03245
4	03269	3/8-16 x 2-1/4 Slotted Round Head Screw		03269
5	840BA	Bearing Assembly		03764
6	840-36C	Chain Replacement Kit	36	32282
	840-48C	(Includes Roller Chain, 4 Small Chain Guides,	48	32283
	840-60C	4 5/32 x 1-3/4" Spring Pins, 1 10-32 Machine Screw,	60	32284
	840-72C	1 10-32 Internal Tooth Lock Washer, 1 Blade Holder	72	32285
	840-84C	Block, and 2 1/8 x 1-1/8 Dowel Pins.	84	32286
7	820/840-1CB	Cutter Blade Kit, 840 Belt Cutter (Includes 1 Blade, 1 #10-32 Machine Screw, and 1 #10 Internal Tooth Lock Washer)		32273
	845-CBK	Cutter Blade Kit, 845LD Belt Cutter (Includes 1 Blade, 1 #10-32 Machine Screw, and 1 #10 Internal Tooth Lock Washer)		32279
8	840BH	Blade Holder Kit (Includes 4 Small Blade Guides, 4 5/32 x 1-3/4 Spring pins, 1 #10-32 Machine Screw, 1 #10 Internal Tooth Lock Washer, 1 Blade Holder Block, and 1 1/8 x 1-1/8 Dowel Pin)		32288

FLEXIBLE STEEL LACING COMPANY

2525 Wisconsin Avenue
Downers Grove, Illinois 60515
Phone: 1-630-971-0150
Fax: 1-630-971-1180

Visit our Web site at www.flexco.com

©2001 Flexible Steel Lacing Company Printed in U.S.A.
FLEXCO® is a registered trademark of Flexible Steel Lacing Company.
Lit Code 1810/Reorder no. X1103

