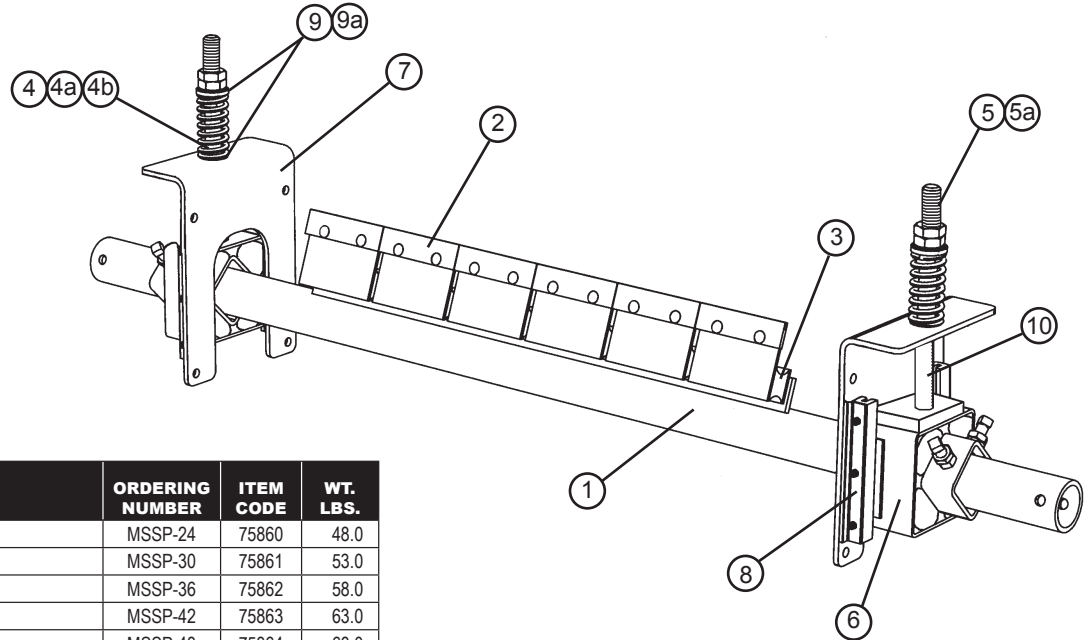
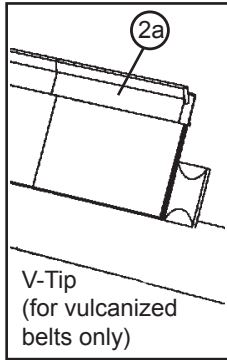


MSS SECONDARY BELT CLEANER

REPLACEMENT PARTS LIST

MINELINE®



Replacement Parts

REF	DESCRIPTION	ORDERING NUMBER	ITEM CODE	WT. LBS.
1	24" (600mm) Pole	MSSP-24	75860	48.0
	30" (750mm) Pole	MSSP-30	75861	53.0
	36" (900mm) Pole	MSSP-36	75862	58.0
	42" (1050mm) Pole	MSSP-42	75863	63.0
	48" (1200mm) Pole	MSSP-48	75864	68.0
	54" (1350mm) Pole	MSSP-54	75865	73.0
	60" (1500mm) Pole	MSSP-60	75866	78.0
	72" (1800mm) Pole	MSSP-72	75867	88.0
	84" (2100mm) Pole	MSSP-84	76813	103.0
2	C-Tip*	ICT6	74535	0.7
2a	V-Tip* (for vulcanized belts only)	PVT6	73018	1.0
3	Cushion*	PCC2	75837	2.0
4	Tension Spring - White (1 ea.) for belts 24" - 30" (600-750mm)	STS-W	75846	0.5
4a	Tension Spring - Silver (1 ea.) for belts 36" - 60" (900-1500mm)	STS-S	75843	0.8
4b	Tension Spring - Black (1 ea.) for belts 72" - 84" (1800-2100mm)	STS-B	75844	1.0
5	Adjusting Rod Kit (includes 1 rod, 2 nuts, 1 bushing, 2 washers) for belts 24" - 60" (600-1500mm)	STAK	75847	2.9
5a	HD Adjusting Rod Kit (includes 1 rod, 2 nuts, 1 HD bushing, 2 washers) for belts 72"-84" (1800-2100mm)	STAKHD	75892	3.0
6	HD Torsion Pole Mount* (1 ea.)	STHDPM	75848	11.1
7	HD Mounting Base Kit* (includes 1 mounting base & 2 slide guides)	STHDMK	75850	11.6
8	Slide Guide Kit* (includes 2 slide guides)	STGK	75851	0.7
9	SST Bushing Kit - White (includes 2 bushings) for white springs and silver springs	SSTBK-W	76636	0.1
9a	SST Bushing Kit - Black (includes 2 bushings) for black springs	SSTBK-B	76637	0.1
10	SST Tensioner Bushing Update Kit (includes 2 lower bushings, 2 - 3" sleeves, 2 - 4" sleeves)	SST-BUK	76943	0.3
-	HD Spring Tensioner* - White (includes 2 each items 4, 5, 6, 7 & 9) for belts 24" - 30" (600-750mm)	SSTHD-W	75842	52.1
-	HD Spring Tensioner* - Silver (includes 2 each items 4a, 5, 6, 7 & 9) for belts 36" - 60" (900-1500mm)	SSTHD-S	75839	52.8
-	HD Spring Tensioner* - Black (includes 2 each items 4b, 5a, 6, 7 & 9a) for belts 72" - 84" (1800-2100mm)	SSTHD-B	75840	53.2

*Hardware Included

Lead time: 1 working day



1995 Oak Industrial Dr. NE • Grand Rapids, MI 49505 U.S.A.

Telephone: (616)-459-3196 • Fax: (616)-459-4976 • E-mail: info@flexco.com • Web: www.flexco.com

Australia: 61-2-9680-3322 • China: 86-21-33528388 • England: 44-1274-600-942
Germany: 49-7428-9406-0 • Mexico: 52-55-5674-5326 • South Africa: 27-11-608-4180

©2008 Flexible Steel Lacing Company. Mineline® is a registered trademark
11/08. For Reorder: X1263

Cleaner Tips and Cushions Required Per Cleaner Size

in.	mm	TIPS REQUIRED
24	600	4
30	750	5
36	900	6
42	1050	7
48	1200	8
54	1350	9
60	1500	10
72	1800	12
84	2100	14

Spring Tensioner Selection Chart

CLEANER SIZE	75842 SSTHD-W	75839 SSTHD-S	75840 SSTHD-B
MSS 24" - 30" (600 - 750mm)	X		
MSS 36" - 60" (900 - 1500mm)		X	
MSS 72" - 84" (1800 - 2100mm)			X

