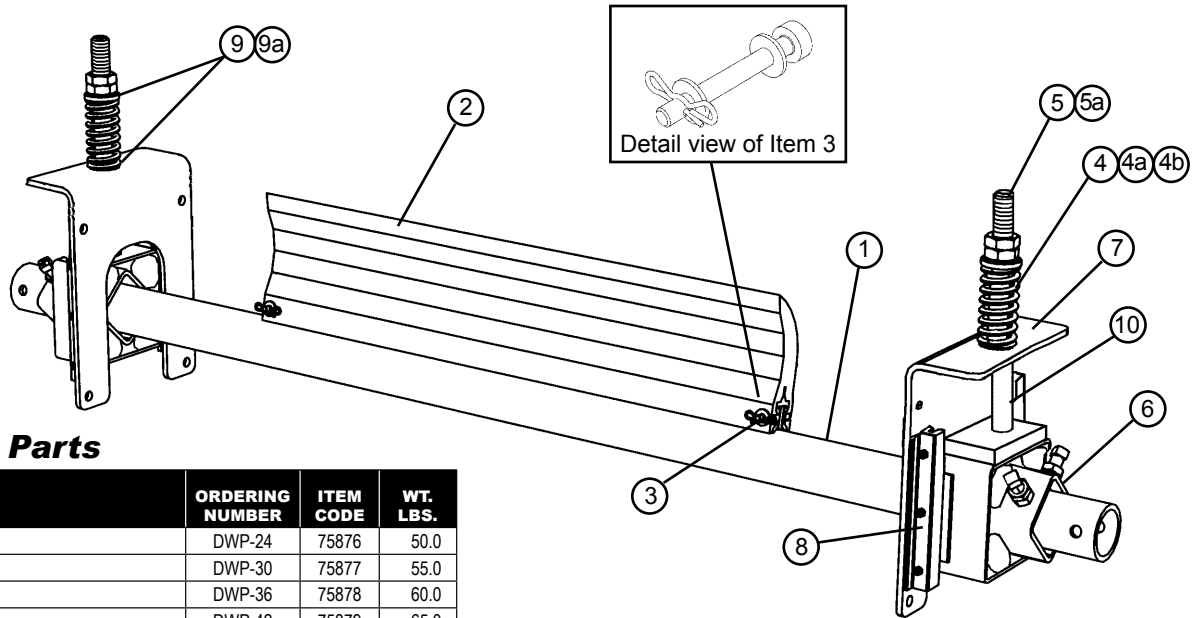


MDWS SECONDARY BELT CLEANER

REPLACEMENT PARTS LIST



Replacement Parts

REF	DESCRIPTION	ORDERING NUMBER	ITEM CODE	WT. LBS.
1	24" (600mm) Pole	DWP-24	75876	50.0
	30" (750mm) Pole	DWP-30	75877	55.0
	36" (900mm) Pole	DWP-36	75878	60.0
	42" (1050mm) Pole	DWP-42	75879	65.0
	48" (1200mm) Pole	DWP-48	75880	70.0
	54" (1350mm) Pole	DWP-54	75881	75.0
	60" (1500mm) Pole	DWP-60	75882	80.0
	72" (1800mm) Pole	DWP-72	75883	90.0
	84" (2100mm) Pole	DWP-84	76815	100.0
3	Blade Pin Kit* (1 ea.)	MSPBPK	75831	0.1
4	Tension Spring - White (1 ea.) for belts 24" - 30" (600-750mm)	STS-W	75846	0.5
4a	Tension Spring - Silver (1 ea.) for belts 36" - 60" (900-1500mm)	STS-S	75843	0.8
4b	Tension Spring - Black (1 ea.) for belts 72" - 84" (1800-2100mm)	STS-B	75844	1.0
5	Adjusting Rod Kit (includes 1 rod, 2 nuts, 1 bushing, 2 washers) for belts 24" - 60" (600-750mm)	STAK	75847	2.9
5a	HD Adjusting Rod Kit (includes 1 rod, 2 nuts, 1 HD bushing, 2 washers) for belts 72" - 84" (1800-2100mm)	STAKHD	75892	3.0
6	HD Torsion Pole Mount* (1 ea.)	STHDPM	75848	11.1
7	HD Mounting Base Kit* (includes 1 mounting base & 2 slide guides)	STHDMK	75850	11.6
8	Slide Guide Kit* (includes 2 slide guides)	STGK	75851	0.7
9	Bushing Kit - White (includes 2 bushings) for white springs and silver springs	SSTBK-W	76636	0.1
9a	Bushing Kit - Black (includes 2 bushings) for black springs	SSTBK-B	76637	0.1
10	SST Tensioner Bushing Update Kit (includes 2 lower bushings, 2 3" sleeves, 2 4" sleeves)	SST-BUK	76943	0.3
-	HD Spring Tensioner* - White (includes 2 each items 4, 5, 6, 7 & 9) for belts 24" - 30" (600-750mm)	SSTHD-W	75842	52.1
-	HD Spring Tensioner* - Silver (includes 2 each items 4a, 5, 6, 7 & 9) for belts 36" - 60" (900-1500mm)	SSTHD-S	75839	52.8
-	HD Spring Tensioner* - Black (includes 2 each items 4b, 5a, 6, 7 & 9a) for belts 72" - 84" (1800-2100mm)	SSTHD-B	75840	53.2

*Hardware Included

Lead time: 1 working day

Replacement ConShear™ DW Blades

REF	BELT WIDTH		ORDERING NUMBER	ITEM CODE	WT. LBS.
	in.	mm			
2	24	600	CDWB24	75884	12.8
	30	750	CDWB30	75885	15.5
	36	900	CDWB36	75886	18.3
	42	1050	CDWB42	75887	21.0
	48	1200	CDWB48	75888	23.8
	54	1350	CDWB54	75889	26.5
	60	1500	CDWB60	75890	29.2
	72	1800	CDWB72	75891	34.7
	84	2100	CDWB84	76942	40.4

Actual blade width is belt width + 4".

ConShear DW Blades are black for easy identification.

Lead time: 1 working day

Spring Tensioner Selection Chart

CLEANER SIZE	75842 SSTHD-W	75839 SSTHD-S	75840 SSTHD-B
MDWS 24" - 30" (600 - 750 mm)	X		
MDWS 36" - 60" (900 - 1500 mm)		X	
MDWS 72" - 84" (1800 - 2100 mm)			X



1995 Oak Industrial Dr. NE • Grand Rapids, MI 49505 U.S.A.

Telephone: (616)-459-3196 • Fax: (616)-459-4976 • E-mail: info@flexco.com • Web: www.flexco.com

Australia: 61-2-9680-3322 • China: 86-21-33528388 • England: 44-1274-600-942
Germany: 49-7428-9406-0 • Mexico: 52-55-5674-5326 • South Africa: 27-11-608-4180

©2008 Flexible Steel Lacing Company. Mineline® is a registered trademark.
U.S. Patent No. D482,508S. 07/08. For Reorder: X1264

