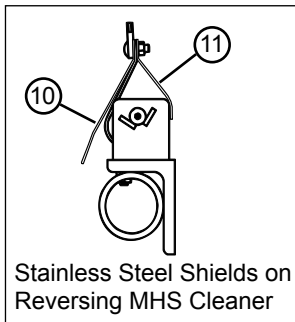
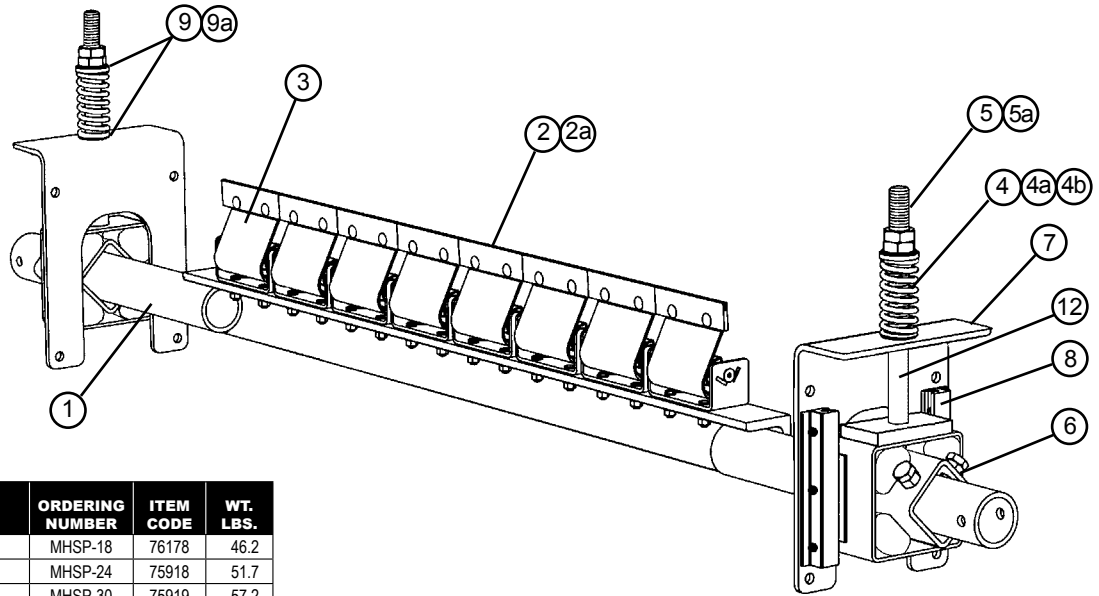


MHS HD SECONDARY BELT CLEANER

REPLACEMENT PARTS LIST



Stainless Steel Shields on Reversing MHS Cleaner

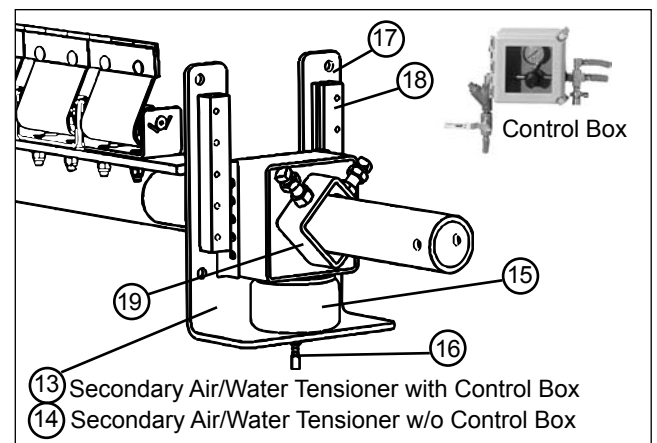


Replacement Parts

REF	DESCRIPTION	ORDERING NUMBER	ITEM CODE	WT. LBS.
1	18" (450mm) Pole	MHSP-18	76178	46.2
	24" (600mm) Pole	MHSP-24	75918	51.7
	30" (750mm) Pole	MHSP-30	75919	57.2
	36" (900mm) Pole	MHSP-36	75920	62.8
	42" (1050mm) Pole	MHSP-42	75921	68.3
	48" (1200mm) Pole	MHSP-48	75922	73.9
	54" (1350mm) Pole	MHSP-54	75923	79.4
	60" (1500mm) Pole	MHSP-60	75924	85.0
	72" (1800mm) Pole	MHSP-72	75925	96.1
84" (2100mm) Pole	MHSP-84	76814	112.1	
2	C-Tip*	ICT6	74535	0.7
2a	V-Tip* (for vulcanized belts only)	RVT6	74646	1.3
3	PowerFlex™ Cushion* (complete)	PFC	75927	4.2
4	Tension Spring - White (1 ea.) for belts 18" - 30" (450-750mm)	STS-W	75846	0.5
4a	Tension Spring - Silver (1 ea.) for belts 36" - 60" (900-1500mm)	STS-S	75843	0.8
4b	Tension Spring - Black (1 ea.) for belts 72" - 84" (1800-2100mm)	STS-B	75844	1.0
5	Adjusting Rod Kit* (includes 1 rod, 2 nuts, 1 bushing, 2 washers) for belts 18" - 60" (450-1500mm)	STAK	75847	2.9
5a	HD Adjusting Rod Kit* (includes 1 rod, 2 nuts, 1 HD bushing, 2 washers) for belts 72" - 84" (1800-2100mm)	STAKHD	75892	3.0
6	HD Torsion Pole Mount* (1 ea.)	STHDPM	75848	11.1
7	HD Mounting Base Kit* (includes 1 mounting base & 2 slide guides)	STHDMK	75850	11.6
8	Slide Guide Kit* (includes 2 slide guides)	STGK	75851	0.7
9	SST Bushing Kit - White (includes 2 bushings) For white springs and silver springs	SSTBK-W	76636	0.1
9a	SST Bushing Kit - Black (includes 2 bushings) For black springs	SSTBK-B	76637	0.1
10	P Stainless Steel Shield	PSSS	74773	0.5
11	PowerFlex™ Reverse Shield	PFRS	76622	0.4
12	SST Tensioner Bushing Update Kit (includes 2 lower bushings, 2 3" sleeves, 2 4" sleeves)	SST-BUK	76943	0.3
	HD Spring Tensioner* - White (includes 2 each items 4, 5, 6, 7 & 9) for belts 18" - 30" (450-750mm)	SSTHD-W	75842	52.1
	HD Spring Tensioner* - Silver (includes 2 each items 4a, 5a, 6, 7 & 9) for belts 36" - 60" (900-1500mm)	SSTHD-S	75839	52.8
	HD Spring Tensioner* - Black (includes 2 each items 4b, 5a, 6, 7 & 9a) for belts 72" - 84" (1800-2100mm)	SSTHD-B	75840	53.2

*Hardware Included

Lead time: 1 working day



13 Secondary Air/Water Tensioner with Control Box

14 Secondary Air/Water Tensioner w/o Control Box

Secondary Air/Water Tensioner Replacement Parts

REF	DESCRIPTION	ORDERING NUMBER	ITEM CODE	WT. LBS.
13	Secondary Air/Water Tensioner	SAT	76081	43.5
14	SAT w/o Control Box	SATNCB	76082	41.0
15	SAT Air/Water Bag Kit	SATBK	76083	5.1
16	SAT 1/8" Hose Barb Kit	SATHBK	76084	0.1
17	SAT Mounting Base Kit	SATMK	76625	11.6
18	SAT SS Slide Guide Kit	SATSGK	76626	1.1
19	SAT Torsion Pole Mount	SATPM	76627	11.1

Lead time: 1 working day

Spring Tensioner Selection Chart

CLEANER SIZE	75842 SSTHD-W	75839 SSTHD-S	75840 SSTHD-B
MHS 18" - 30" (450 - 750mm)	X		
MHS 36" - 60" (900 - 1500mm)		X	
MHS 72" - 84" (1800 - 2100mm)			X



1995 Oak Industrial Dr. NE • Grand Rapids, MI 49505 U.S.A.

Telephone: (616)-459-3196 • Fax: (616)-459-4976 • E-mail: info@flexco.com • Web: www.flexco.com

Australia: 61-2-9680-3322 • China: 86-21-33528388 • England: 44-1274-600-942
Germany: 49-7428-9406-0 • Mexico: 52-55-5674-5326 • South Africa: 27-11-608-4180

©2008 Flexible Steel Lacing Company. Mineline® is a registered trademark, and PowerFlex™ is a trademark. U.S. Patent Nos. 6,823,983; 7,093,706. 07/08. For Reorder: X1270

