

MHCP HD CARTRIDGE PRECLEANER

REPLACEMENT PARTS LIST



REF	DESCRIPTION	ORDERING NUMBER	ITEM CODE	WT. LBS.
1	24" (600mm) Center Pole *	MHP-CP24	75961	19.0
	30" (750mm) Center Pole *	MHP-CP30	75962	23.1
	36" (900mm) Center Pole *	MHP-CP36	75963	27.2
	42" (1050mm) Center Pole *	MHP-CP42	75964	31.2
	48" (1200mm) Center Pole *	MHP-CP48	75965	35.3
	54" (1350mm) Center Pole *	MHP-CP54	75966	39.4
	60" (1500mm) Center Pole *	MHP-CP60	75967	43.5
	72" (1800mm) Center Pole *	MHP-CP72	75968	51.6
84" (2100mm) Center Pole *	MHP-CP84	76811	60.2	
2	MHCP Extender Poles (2 ea.)	MHP-EP	76392	54.0
3	SuperShear™ Blade	SSRB	75978	6.6
4	24" (600mm) 2-Piece Blade Cartridge *	MHCP-2BC24	76638	13.2
	30" (750mm) 2-Piece Blade Cartridge *	MHCP-2BC30	76639	17.6
	36" (900mm) 2-Piece Blade Cartridge *	MHCP-2BC36	76640	22.0
	42" (1050mm) 2-Piece Blade Cartridge *	MHCP-2BC42	76641	26.4
	48" (1200mm) 2-Piece Blade Cartridge *	MHCP-2BC48	76642	30.8
	54" (1350mm) 2-Piece Blade Cartridge *	MHCP-2BC54	76643	35.2
	60" (1500mm) 2-Piece Blade Cartridge *	MHCP-2BC60	76644	39.6
	72" (1800mm) 2-Piece Blade Cartridge *	MHCP-2BC72	76645	48.4
84" (2100mm) 2-Piece Blade Cartridge *	MHCP-2BC84	76812	56.5	
5	MHCP Cartridge Handle	MHCP-CH	76393	0.4
6	MHCP Cartridge Blade Stop	MHCP-BS	76394	0.4

*Hardware Included

Lead time: 1 working day

PST Spring Tensioner Replacement Parts

REF	DESCRIPTION	ORDERING NUMBER	ITEM CODE	WT. LBS.
7	Mounting Base* (1 ea.)	PMB	75895	22.2
8	Torque Arm * (1 ea.)	PSTA	75896	11.2
9	Torque Pivot Kit (1 ea.) (no spring)	PTPK	75897	7.0
10	Tension Spring - White (1 ea.) for belts 24" - 48" (600-1200mm)	PSTS-W	75898	1.7
10a	Tension Spring - Silver (1 ea.) for belts 54" - 84" (1350-2100mm)	PSTS-S	75899	3.0
11	Bushing Kit (2 ea.) (for White & Silver Tensioners)	QMTBK-W	76098	0.2
	PST Spring Tensioner - White (includes 2 each items 7, 8, 9, 10 & 11) for belts 24" - 48" (600-1200mm)	PST-W	75893	86.1
	PST Spring Tensioner - Silver (includes 2 each items 7, 8, 9, 10a & 11) for belts 54" - 84" (1350-2100mm)	PST-S	75894	86.2

*Hardware Included

Lead time: 1 working day

Air/Water and Nitrogen Tensioner Replacement Parts

REF	DESCRIPTION	ORDERING NUMBER	ITEM CODE	WT. LBS.
12	Air/Water Bag (1 ea.)	AWTB	75905	3.8
13	Mounting Base (1 ea.)	AWTMB	75906	22.9
14	Torque Arm * (1 ea.)	AWTA	75907	11.6
15	Hose Kit (50' of hose and 6 hose clamps)	AWTHK	75909	6.7
16	Control Box (Complete)	AWTCB	75908	4.3
	AWT Air/Water Tensioner (includes 2 each items 12, 13, & 14 and 1 each items 15 & 16)	AWT	75904	86.2
	AWT Air/Water Tensioner w/o Control Box (includes 2 each items 12, 13, 14 & 1 each item 15)	AWTNCB	76069	75.2
	AWT Air/Water Tensioner w/o Control Box, 1 side (includes 1 each items 12, 13, 14 & 15)	AWT-1S	76375	37.6
17	Nitrogen Regulator	NR	76397	5.0
17a	Nitrogen Regulator, 1 side (1 outlet port)	NR-1S	76398	4.7
	NT Nitrogen Tensioner (includes 2 each items 12, 13, 14 & 1 each items 15 & 17)	NT	76395	80.2
	NT Nitrogen Tensioner, 1 side (includes 1 each items 12, 13, 14, 15 & 17a)	NT-1S	76396	40.1

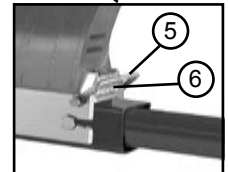
*Hardware Included

Lead time: 1 working day

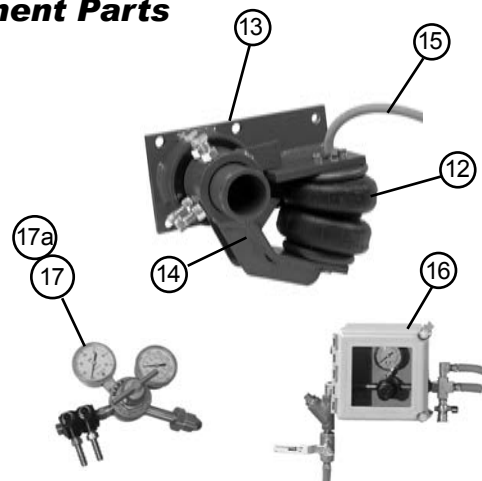
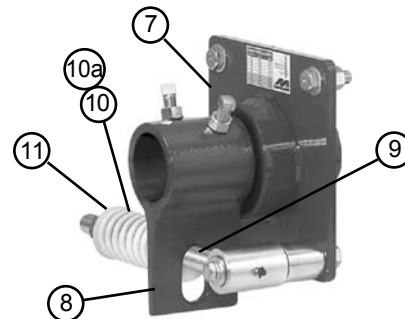


Blades Required per Belt Width

BELT WIDTH		BLADES REQUIRED
in.	mm	
24	600	3
30	750	4
36	900	5
42	1050	6
48	1200	7
54	1350	8
60	1500	9
72	1800	11
84	2100	12



Blades and cartridges can be purchased separately (see chart at left) or preassembled as a Blade Cartridge Kit.



1995 Oak Industrial Dr. NE • Grand Rapids, MI 49505 U.S.A.

Telephone: (616)-459-3196 • Fax: (616)-459-4976 • E-mail: info@flexco.com • Web: www.flexco.com

