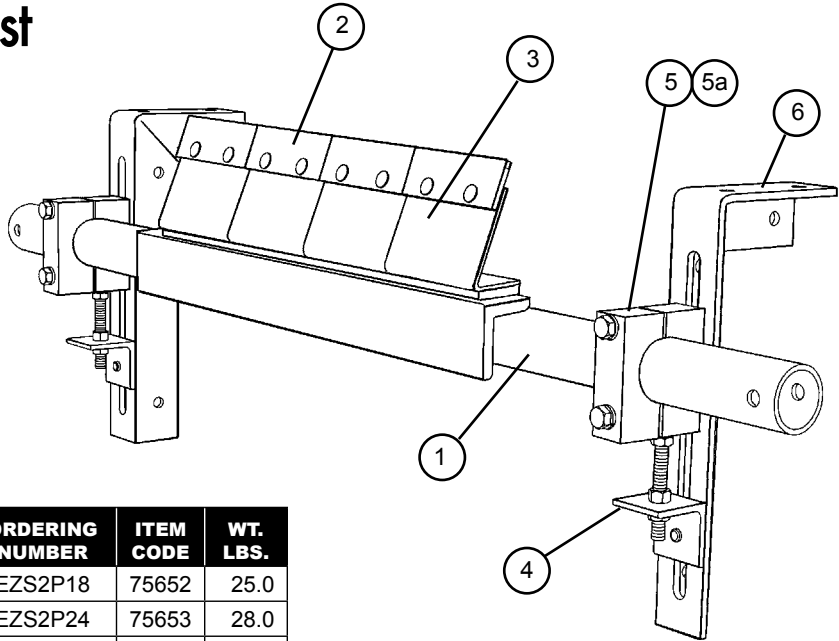


## Replacement Parts List



### Replacement Parts

REF	DESCRIPTION	ORDERING NUMBER	ITEM CODE	WT. LBS.
1	18" (450mm) Pole	EZS2P18	75652	25.0
	24" (600mm) Pole	EZS2P24	75653	28.0
	30" (750mm) Pole	EZS2P30	75654	30.0
	36" (900mm) Pole	EZS2P36	75655	34.0
	42" (1050mm) Pole	EZS2P42	75656	36.0
	48" (1200mm) Pole	EZS2P48	75657	39.0
	54" (1350mm) Pole	EZS2P54	75658	42.0
	60" (1500mm) Pole	EZS2P60	75659	77.0
	72" (1800mm) Pole	EZS2P72	75660	89.0
2	C-Tip Kit* (1 ea.)	ICT6	74535	0.7
3	FormFlex™ Cushion Kit* (incl. 1 cushion & 1 pad)	FFCK	75661	1.5
4	Adjusting Bracket Kit* (1 ea.)	EZS2ABK	75664	2.0
5	Pole Clamp Kit* (1 ea.) for sizes 18"-54" (450-1350mm)	EZS2PCK	75665	10.0
5a	HD Pole Clamp Kit* (1 ea.) for sizes 60"-72" (1500-1800mm)	EZS2HDPCK	75769	11.4
6	Mounting Bracket Kit (1 Right and 1 Left)	EZS2MBK	75666	13.0
	Mounting Kit Complete* for sizes 18"-54" (450-1350mm) (incl. 2 ea. Items 4 & 5 and 1 ea. Item 6)	EZS2MK	75667	31.5
	HD Mounting Kit Complete* for sizes 60"-72" (1500-1800mm) (incl. 2 ea. Items 4 & 5a and 1 ea. Item 6)	EZS2HDMK	75770	31.9

\*Hardware Included

Lead time: 1 working day

### Cleaner Tips and Cushions Required Per Cleaner Size

in.	mm	TIPS REQUIRED
18	450	3
24	600	4
30	750	5
36	900	6
42	1050	7
48	1200	8
54	1350	9
60	1500	10
72	1800	12

### Mounting Kit Selection Chart

CLEANER WIDTH	75667 EZS2MK	75770 EZS2HDMK
EZS2 18" - 54" (450 - 1350mm)	X	
EZS2 60" - 72" (1500 - 1800mm)		X



1995 Oak Industrial Dr. NE • Grand Rapids, MI 49505 U.S.A.

Telephone: (616)-459-3196 • Fax: (616)-459-4976 • E-mail: info@flexco.com • Web: www.flexco.com

Australia: 61-2-9680-3322 • China: 86-21-33528388 • England: 44-1274-600-942

Germany: 49-7428-9406-0 • Mexico: 52-55-5674-5326 • South Africa: 27-11-608-4180

©2008 Flexible Steel Lacing Company. Rockline® is a registered trademark, and FormFlex™ is a trademark. U.S. Patent No. 6,823,983. 07/08. For Reorder: X1313

