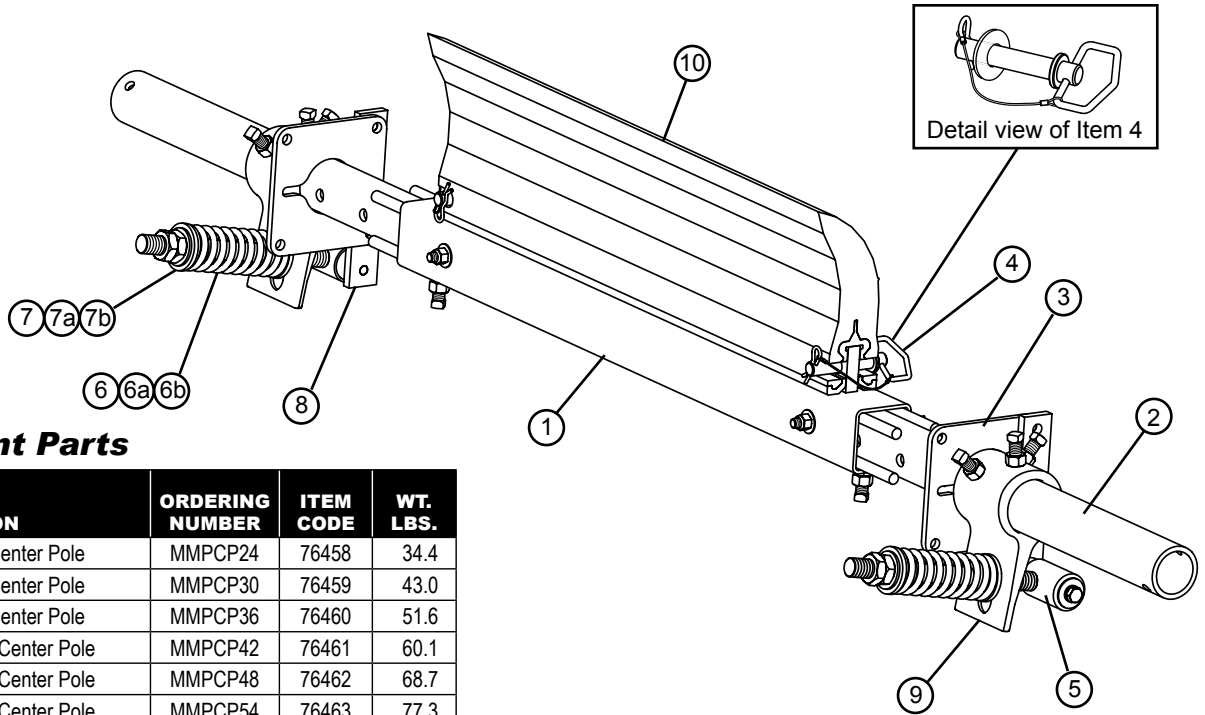


MMP MEDIUM-DUTY PRECLEANER

REPLACEMENT PARTS LIST

MINELINE®



Replacement Parts

REF	DESCRIPTION	ORDERING NUMBER	ITEM CODE	WT. LBS.
1	24" (600mm) Center Pole	MMPCP24	76458	34.4
	30" (750mm) Center Pole	MMPCP30	76459	43.0
	36" (900mm) Center Pole	MMPCP36	76460	51.6
	42" (1050mm) Center Pole	MMPCP42	76461	60.1
	48" (1200mm) Center Pole	MMPCP48	76462	68.7
	54" (1350mm) Center Pole	MMPCP54	76463	77.3
	60" (1500mm) Center Pole	MMPCP60	76464	85.9
	72" (1800mm) Center Pole	MMPCP72	76465	103.1
	84" (2100mm) Center Pole	MMPCP84	76808	120.3
2	Extender Pole Kit (2 ea.)	MHP-EP	76392	54.0
3	Mounting Plate Kit* (2 ea.)	MSPMPK	75811	8.3
4	Blade Pin Kit* (1 ea.)	MMPBPK	76466	0.8
5	Pivot Arm Kit* (1 ea.)	QMTPAK	76096	4.3
6	Tension Spring - Purple (1 ea.) for blades 24" (600mm)	QMTS-P	75845	0.6
6a	Tension Spring - White (1 ea.) for blades 30" - 48" (750 - 1200mm)	PSTS-W	75898	1.7
6b	Tension Spring - Gold (1 ea.) for blades 54" - 84" (1350 - 2100mm)	QMTS-G	76484	2.5
7	Bushing Kit - Purple (2 ea.)	QMTBK-P	76097	0.1
7a	Bushing Kit - White (2 ea.)	QMTBK-W	76098	0.2
7b	Bushing Kit - Gold (2 ea.)	QMTBK-G	76540	0.3
8	Pivot Shaft Bracket Kit* (1 ea.)	QMTPSBK	76099	4.3
9	Torsion Arm Kit* (1 ea.)	PSTA	75896	11.4
-	QMT Spring Tensioner* - Purple (incl. 1 ea. Items 5, 6, 7, 8, & 9) for blades 18" - 24" (450 - 600mm)	QMT-P	76074	20.4
-	QMT Spring Tensioner* - White (incl. 1 ea. Items 5, 6a, 7a, 8, & 9) for blades 30" - 42" (750 - 1050mm)	QMT-W	76075	21.8
-	QMT Spring Tensioner* - Gold (incl. 1 ea. Items 5, 6b, 7b, 8, & 9) for blades 48" - 82" (1200 - 2050mm)	QMT-G	76483	23.2

*Hardware Included

Lead Time: 1 working day

Replacement TuffShear™ Blades

REF	BLADE WIDTH		ORDERING NUMBER	ITEM CODE	WT. LBS.
	in.	mm			
10	18	450	TRB18	76485	21.0
	24	600	TRB24	76486	28.0
	30	750	TRB30	76487	35.0
	36	900	TRB36	76488	42.0
	42	1050	TRB42	76489	49.0
	48	1200	TRB48	76490	56.0
	54	1350	TRB54	76491	63.0
	60	1500	TRB60	76492	70.0
	66	1650	TRB66	76493	77.0
	72	1800	TRB72	76494	84.0
	78	1950	TRB78	76697	91.0

Order blade width for your belt width's material path: Belt Width Minus 6", Belt Width Minus 12" or Belt Width Minus 18".

Lead Time: 1 working day

Spring Tensioner Selection Chart

CLEANER BLADE WIDTH	76074 QMT-P	76075 QMT-W	76483 QMT-G
TuffShear 18" - 24" (450 - 600mm)	X		
TuffShear 30" - 42" (750 - 1050mm)		X	
TuffShear 48" - 82" (1200 - 2050mm)			X



1995 Oak Industrial Dr. NE • Grand Rapids, MI 49505 U.S.A.

Telephone: (616)-459-3196 • Fax: (616)-459-4976 • E-mail: info@flexco.com • Web: www.flexco.com

Australia: 61-2-9680-3322 • China: 86-21-33528388 • England: 44-1274-600-942
Germany: 49-7428-9406-0 • Mexico: 52-55-5674-5326 • South Africa: 27-11-608-4180

©2008 Flexible Steel Lacing Company. Mineline® is a registered trademark, and TuffShear™ is a trademark.
U.S. Patent No. D482,508S. 07/08. For Reorder: X1425

