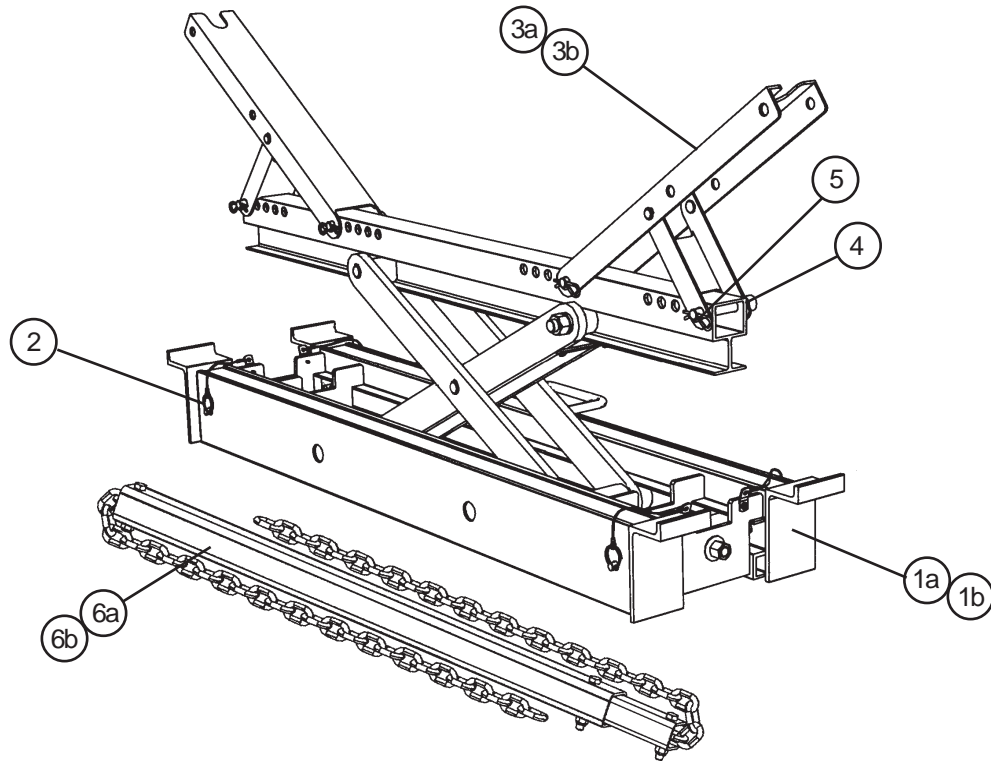


# Flexco® Belt Maintenance Tools

## Flex-Lifter™ Conveyor Belt Lifter

### REPLACEMENT PARTS LIST



## REPLACEMENT PARTS

REF	DESCRIPTION	ORDERING NUMBER	ITEM CODE
1a	Extension Leg - Medium (1 ea.)	FEEL-M	76472
1b	Extension Leg - Large (1 ea.)	FEEL-L	76473
2	Extension Leg Pin (1 ea.) with lanyard	FEELP	76474
3a	Trough Wing - Medium (1 ea.) with brace	FLTW-M	76476
3b	Trough Wing - Large (1 ea.) with brace	FLTW-L	76477
4	Retainer Pin Pack (4 per pack)	FLRP	76478
5	Retainer Clip Pack (4 per pack)	FLCP	76479
6a	Return Lift Bar - Medium	FLRLB-M	76482
6b	Return Lift Bar - Large	FLRLB-L	76481

Lead time: 3 working days.

## FLEXIBLE STEEL LACING COMPANY

2525 Wisconsin Avenue • Downers Grove, Illinois 60515

Phone: 1-630-971-0150 • Fax: 1-630-971-1180

BCP Help Line 1-800-253-8132

©2006 Flexible Steel Lacing Company Printed in U.S.A.

Flexco® is a registered trademark, and Flex-Lifter™ is a trademark of Flexible Steel Lacing Company.  
For Reorder: Item Code X1450 Released 5/06

