

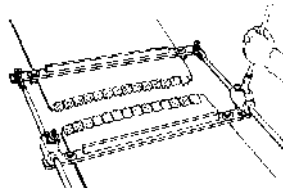


## FAR-PUL® HD® BELT CLAMPS

Load Capacity up to 3 tons (2.7 metric tons) when used with two 1-1/2 ton (1.4 metric ton) come-a-longs.

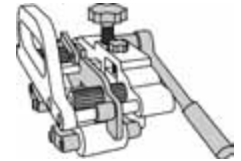
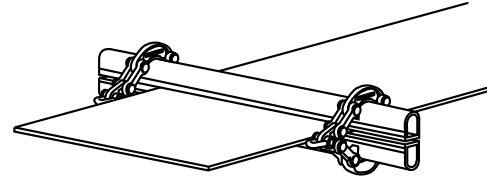
DESCRIPTION	BELT WIDTH		ORDERING NUMBER	ITEM CODE	WT. LBS.
	in.	mm			
Belt Clamp Complete includes: 4 Belt Clamp Bars and 4 Belt Clamp Scissors	Up to 30"	Up to 750	LSHD30	30393	79.0
	Up to 36"	Up to 900	LSHD36	30394	87.0
	Up to 42"	Up to 1050	LSHD42	30395	91.0
	Up to 48"	Up to 1200	LSHD48	30396	98.0
	Up to 54"	Up to 1350	LSHD54	30397	103.0
	Up to 60"	Up to 1500	LSHD60	30398	110.0
	Up to 72"	Up to 1800	LSHD72	30399	121.0
30" Belt Clamp Bar Set*	Up to 30"	Up to 750	LSHDB30-2	30418	20.0
36" Belt Clamp Bar Set*	Up to 36"	Up to 900	LSHDB36-2	30414	23.0
42" Belt Clamp Bar Set*	Up to 42"	Up to 1050	LSHDB42-2	30421	26.0
48" Belt Clamp Bar Set*	Up to 48"	Up to 1200	LSHDB48-2	30423	30.0
54" Belt Clamp Bar Set*	Up to 54"	Up to 1350	LSHDB54-2	30424	33.0
60" Belt Clamp Bar Set*	Up to 60"	Up to 1500	LSHDB60-2	30430	36.0
72" Belt Clamp Bar Set*	Up to 72"	Up to 1800	LSHDB72-2	30408	40.0
Steel Belt Clamp Scissor - Each			LSHDS	30392	10.5
Belt Locator Pin - includes Washer and Locking Nut			LSHDLP	30400	.15
Retaining Pin Kit			LSHD-RPK	30390	2.0

\*Includes 2 Bars Per Set



## Aluminum Content-Far-Pul® HD®

ALUMINUM ALLOY TYPE	PERCENT	
	Mg - Magnesium	Ti - Titanium
6061	1.00%	0%



## FAR-PUL® LIGHT-DUTY BELT CLAMPS

BELT WIDTH		ORDERING NUMBER	ITEM CODE	WT. LBS.
in.	mm			
<b>FOR BELTS UNDER 100 FT. ON CENTER</b>				
Up to 16"	Up to 400	LS1	30925	27.4
18-24"	450-600	LS2	30926	58.8
30-36"	750-900	LS2-1/2	30927	77.1

## FLEXCO® FSK™ BELT SKIVER

Width of Skive 2½" (64mm)

DESCRIPTION	ORDERING NUMBER	ITEM CODE	WT. LBS.
Skiver Complete with Standard Blade	FSK-1	31995	20.7
Skiver Complete with High-Wear Blade	FSK-1A	32001	20.7
Sharpening Stone		31987	0.5
STK Tool Box		50009	5.4
<b>REPLACEMENT PARTS</b>			
Skiver Blade-Standard	FSK-1B	31996	0.3
Skiver Blade-High Wear	FSK-1BA	31999	0.3
Skiver Ratchet Assembly	FSK-1R	31991	1.8
Skiver Chain	FSK-1C	31992	0.4
Skiver Sprocket	FSK-1S	31993	0.2
Skiver Fence Assembly	FSK-1F	31994	1.1

## FLEX-LIFTER™ CONVEYOR BELT LIFTER

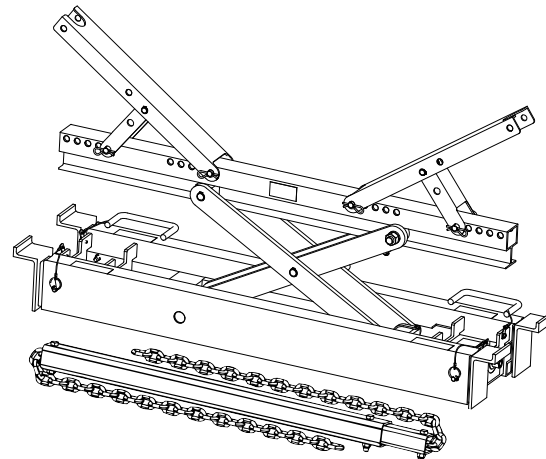
DESCRIPTION	BELT WIDTH RANGE		ORDERING NUMBER	ITEM CODE	WT. LBS.
	in.	mm			
Medium Flex-Lifter	36-60	900-1500	FL-M	76469	62.0
Large Flex-Lifter	48-72	1200-1800	FL-L	76470	74.0

## Safe Lifting Capacity

Height		Max. Weight	
in.	mm	lbs.	kg.
0-1	0-25	500	225
1-2	25-50	1000	450
2-3	50-75	1500	675
3-4	75-100	2000	900
4-5	100-125	2500	1150
5-6	125-150	3000	1350
6-7	150-175	3500	1600
>7	>175	4000	1800

## Aluminum Content-Flex-Lifter™ (for reference only)

ALUMINUM ALLOY TYPE	PERCENT	
	Mg Magnesium	Ti Titanium
4043	0.05	0.2
5356	5.5	0.2
6005	0.6	0.1
6061	1	
6063	0.7	
7075	2.5	



**Stock Items** (non-shaded) carried in factory inventory.

**Made To Order Items** (shaded) allow one week for production. In most cases, the next standard stock item can be adapted to meet your requirements.

**Non-Listed Items** are available. Request quote for price and delivery.