

THIS DRAWING IN DESIGN AND DETAIL IS THE PROPERTY OF FLEXIBLE STEEL LACING CO. AND MAY NOT BE USED EXCEPT IN CONNECTION WITH OUR WORK. ALL RIGHTS OF INVENTION OR DESIGN ARE RESERVED. RETURN UPON REQUEST. CONFIDENTIAL! NO COPYING OR REPRODUCING!



1995 OAK INDUSTRIAL DRIVE, N.E.
GRAND RAPIDS, MI. 49505
PHONE: (616) 459-3196
FAX: (616) 459-4976

TOLERANCES - INCH (mm)
(UNLESS OTHERWISE SPECIFIED)
.XX ± .005 (0.13mm)
.XX ± .015 (0.38mm)
FRACT. ± 1/16 (1.59mm)
Ang. ± 1
UNSPECIFIED SHARP EDGES & FILLETS WITHIN 1/32 (.79mm)

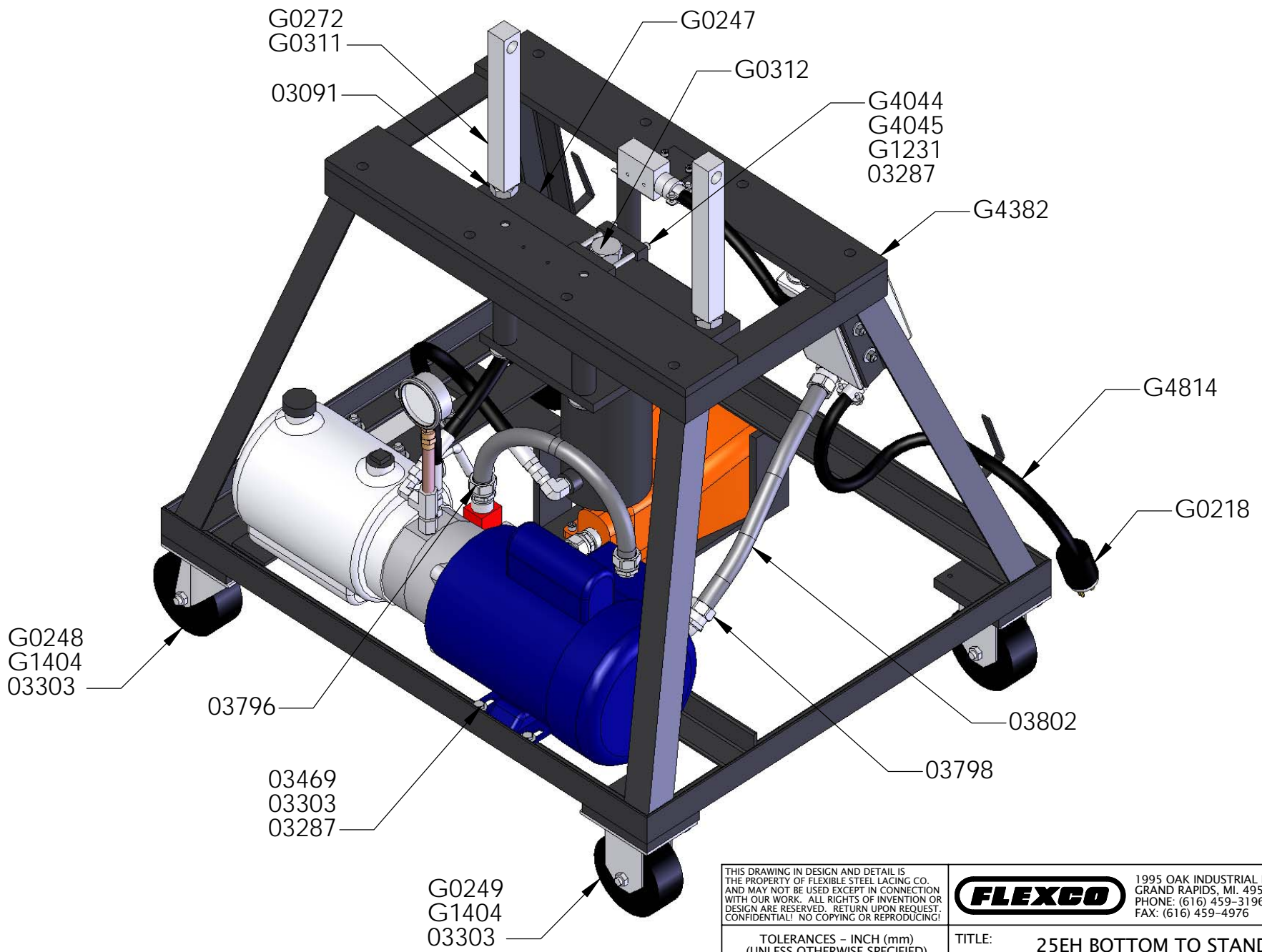
TITLE: 25EH BOTTOM TO STAND ASSY

DRAWN BY: AJZ
DATE: 9/14/2005
CHECKED BY: XXX
DATE: xx/xx/xxxx
SHEET 1 of 1

SCALE: XXX SIZE: A
DRAWING NO. G0326

REV.	CHANGE NO.	DATE
XXX		

THIRD ANGLE PROJECTION



THIS DRAWING IN DESIGN AND DETAIL IS THE PROPERTY OF FLEXIBLE STEEL LACING CO. AND MAY NOT BE USED EXCEPT IN CONNECTION WITH OUR WORK. ALL RIGHTS OF INVENTION OR DESIGN ARE RESERVED. RETURN UPON REQUEST. CONFIDENTIAL! NO COPYING OR REPRODUCING!



1995 OAK INDUSTRIAL DRIVE, N.E.
GRAND RAPIDS, MI. 49505
PHONE: (616) 459-3196
FAX: (616) 459-4976

TOLERANCES - INCH (mm)
(UNLESS OTHERWISE SPECIFIED)
.XXX ± .005 (0.13mm)
.XX ± .015 (0.38mm)
FRACT. ± 1/16 (1.59mm)
Ang. ± 1
UNSPECIFIED SHARP EDGES & FILLETS WITHIN 1/32 (.79mm)

TITLE: 25EH BOTTOM TO STAND ASSY

EH LACER

DRAWN BY: AJZ	CHECKED BY: XXX	SHEET 2 of 2
DATE: 9/14/2005	DATE: xx/xx/xxxx	

SCALE: 1:6	SIZE: A	DRAWING NO. G0326
------------	---------	-------------------

REV.	CHANGE NO.	DATE
XXX		

THIRD ANGLE PROJECTION