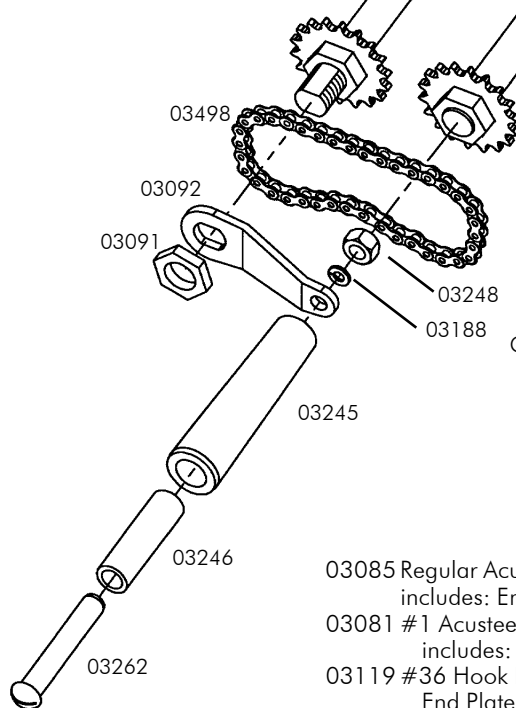
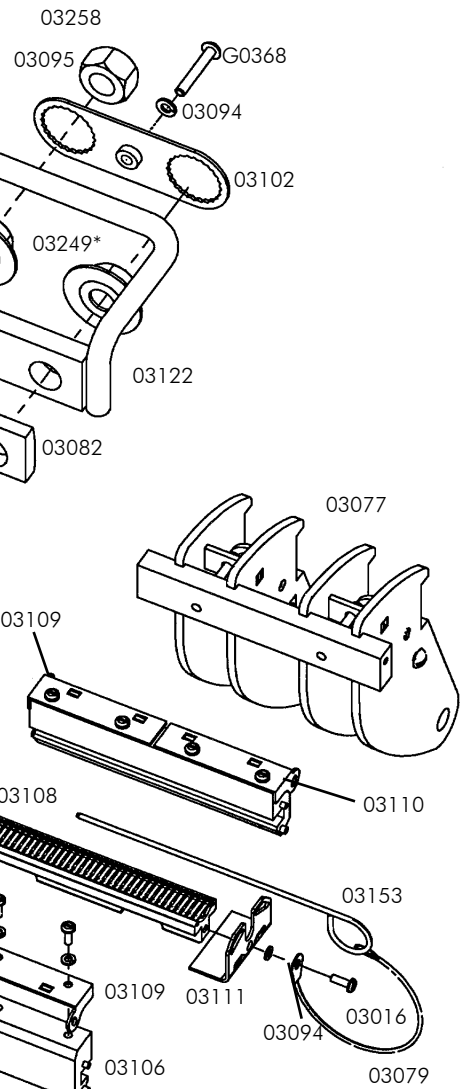


PARTS LIST

Light Weight #95 & #25 XLW Lacer Parts

- 03016 12-24 x 3/8" Round Head Screw
- 03486 1/4 Spring Lock Washer
- 03077 Jaw Bar Assembly #2
- 03078 10-24 x 1-3/4 Zinc Plated Round Head Bolt
- G0368 12-24 x 1 Zinc Plated Round Head Screw
- 03079 Connecting Cable
- 03080 End Plate Assy. Includes 03111, 03094, 03016, 03079
- 03082 Long Rocker Bar
- 03083 Untapped Flat Pressure Bar
- G0373 Jaw Plate Spacing Collar
- 03088 Frame Anchor
- 03089 Trunnion Washer
- G0374 10-24 Zinc Plated Square Nut
- 03091 3/4-16 Hex Jam Nut
- G0377 Long Jaw Plate Shaft Collar
- G0378 Medium Jaw Plate Shaft Collar
- G0379 Short Jaw Plate Shaft Collar
- 03092 Adjusting Lever
- 03093 #8-1/16 x 3/64 Lock Washer
- 03094 #12-1/16 x 1/16 Lock Washer
- 03095 Spring Washer
- 03096 Tie Rod Spring
- 03097 8-32 x 5/16 Zinc Plated Round Head Screw
- 03485 1/4-20 x 1-1/2 Zinc Plated Hex Head Screw
- 03100 Long Tie Rod Assembly
- 03101 Short Tie Rod Assembly
- 03102 Nut Anchor Assembly
- 03498 Chain Assembly
- 03106 Jaw Assembly
- 03108 Regular Acusteel™ Hook Retainer
- 03109 L.H. Jaw Wing
- 03110 R.H. Jaw Wing
- 03111 End Plate
- 03112 Jaw Plate
- 03113 Jaw Bar Assembly #1

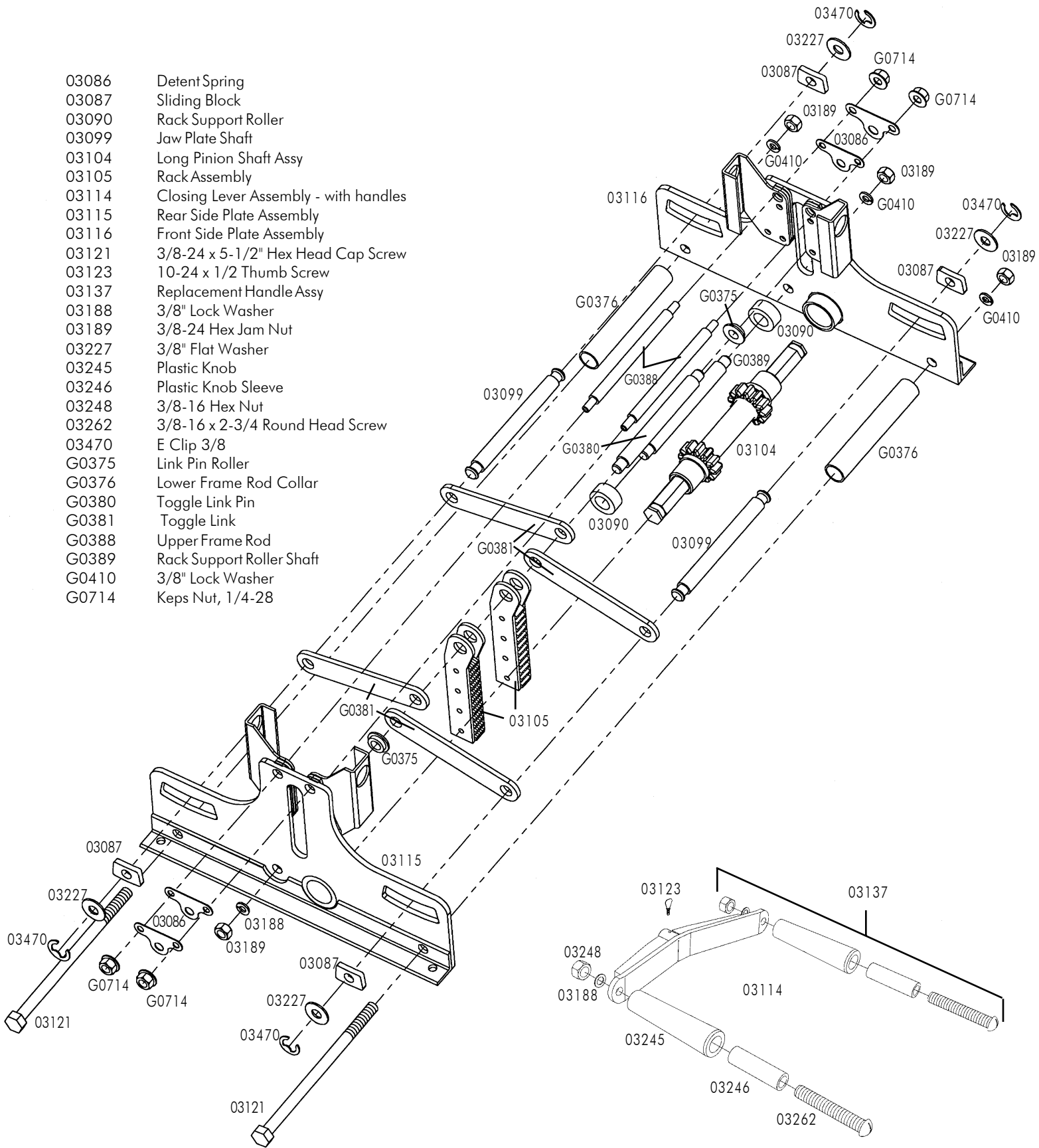
- 03118 Hook Retainer to Jaw Assembly includes:
03016, 03094, 03108, 03153, 03097, 03093, 03106, 03109, 03110, 03079
- 03122 Welded Handle Assembly
- 03153 Regular Lacer Pin
- 03188 3/8 Regular Spring Lock Washer
- 03245 Plastic Knob
- 03246 Plastic Knob Sleeve
- 03248 3/8-16 Hex Nut
- 03249* Flanged Nut 3/4-16
- 03258 Nut Jam 3/4-16 Nylon Insert
- 03262 3/8-16 x 2-3/4 Rd Hd Screw



- 03085 Regular Acusteel™ Hook Retainer Assy includes: End Plate Assy & Loop Pin
- 03081 #1 Acusteel™ Hook Retainer Assy. includes: End Plate Assy & Loop Pin
- 03119 #36 Hook Retainer Assy includes: End Plate Assy & Loop Pin
- 03125 #25 Hook Retainer Assy includes: End Plate Assy & Loop Pin

* Units prior to S/N 02673 use two (2) 03249 and one (1) 03102 if either nut or nut anchor is replaced.
 **If either tie rod is required, both tie rods must be replaced.

- 03086 Detent Spring
- 03087 Sliding Block
- 03090 Rack Support Roller
- 03099 Jaw Plate Shaft
- 03104 Long Pinion Shaft Assy
- 03105 Rack Assembly
- 03114 Closing Lever Assembly - with handles
- 03115 Rear Side Plate Assembly
- 03116 Front Side Plate Assembly
- 03121 3/8-24 x 5-1/2" Hex Head Cap Screw
- 03123 10-24 x 1/2 Thumb Screw
- 03137 Replacement Handle Assy
- 03188 3/8" Lock Washer
- 03189 3/8-24 Hex Jam Nut
- 03227 3/8" Flat Washer
- 03245 Plastic Knob
- 03246 Plastic Knob Sleeve
- 03248 3/8-16 Hex Nut
- 03262 3/8-16 x 2-3/4 Round Head Screw
- 03470 E Clip 3/8
- G0375 Link Pin Roller
- G0376 Lower Frame Rod Collar
- G0380 Toggle Link Pin
- G0381 Toggle Link
- G0388 Upper Frame Rod
- G0389 Rack Support Roller Shaft
- G0410 3/8" Lock Washer
- G0714 Keps Nut, 1/4-28



CLIPPER BELT LACER COMPANY

A wholly owned subsidiary of:

FLEXIBLE STEEL LACING COMPANY

1995 Oak Industrial Drive NE • Grand Rapids, MI 49505-5011 USA
 616-459-3196 • Fax: 616-459-4976