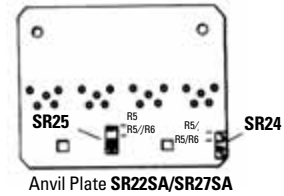
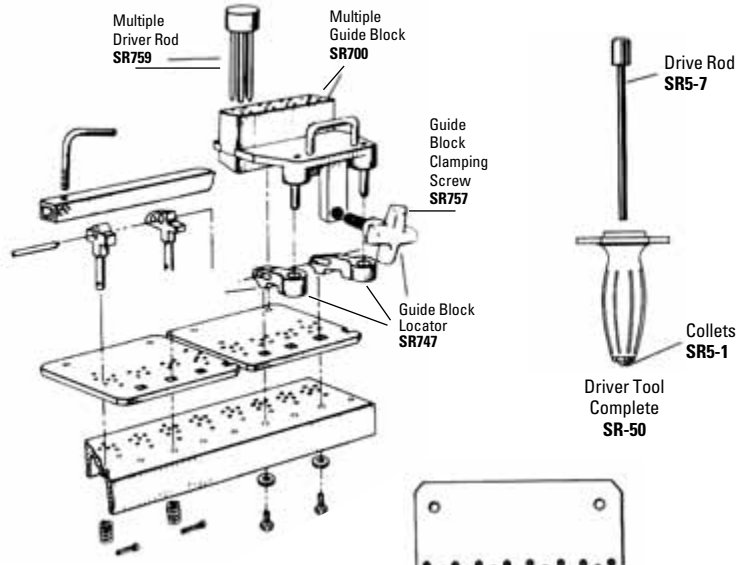
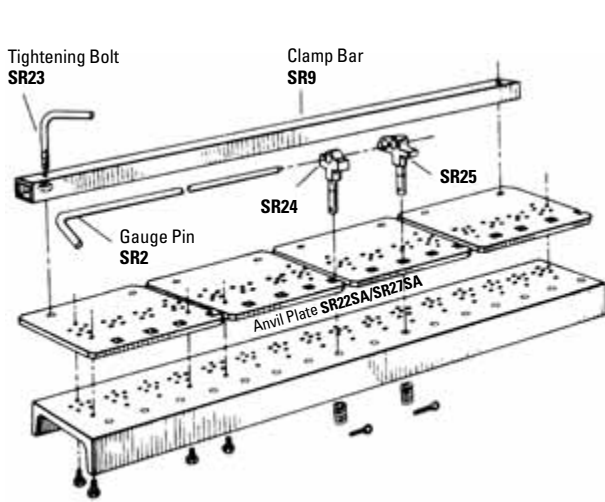




Flexco® SR™ Scalloped Edge™ Rivet Hinged Fasteners



REPLACEMENT PARTS FOR SRT, SRTA, MSRT TOOLS

DESCRIPTION	ORDERING NUMBER	ITEM CODE	WT. LBS.
Gauge Pin Guide with Spring and Cotter Pin	SR24	40503	.1
Gauge Pin Guide with Spring and Cotter Pin	SR25	40504	.1
Stepped Anvil Plate Complete-for MSRT	SR22SA	40652	1.7
Stepped Anvil Plate Complete-for MSRT8	SR27SA	41778	1.7
Anvil Plate Screws (50/Package)	BRPS	40908	.7
Tightening Bolt Complete	SR23	40502	.2
Rivet Guide Locator Assembly	SR747	41056	.2
Clamping Screw	SR757	41057	.1
Collets-Set of Two	SR5-1	40511	.1
Gauge Pin for 30" Tool	SR2-30	40482	.5
Gauge Pin for 36" Tool	SR2-36	40483	.6
Gauge Pin for 42" Tool	SR2-42	40484	.7
Gauge Pin for 48" Tool	SR2-48	40485	.8
Gauge Pin for 60" Tool	SR2-60	40487	1.0
Gauge Pin for 72" Tool	SR2-72	40488	1.2
Gauge Pin for 84" Tool	SR2-84	40489	1.5
Clamp Bar for 30" Tool	SR9-30	40493	3.8
Clamp Bar for 36" Tool	SR9-36	40494	4.1
Clamp Bar for 42" Tool	SR9-42	40495	5.3
Clamp Bar for 48" Tool	SR9-48	40496	6.2
Clamp Bar for 60" Tool	SR9-60	40498	6.8
Clamp Bar for 72" Tool	SR9-72	40499	7.5
Clamp Bar for 84" Tool	SR9-84	40497	7.9

See Spare Parts Sheet FR-320.

REPLACEMENT PARTS FOR ALUMINUM MSRT TOOL

DESCRIPTION	ORDERING NUMBER	ITEM CODE	WT. LBS.
Guide Locator	SR747-AL	43022	.2
Gauge Pin Guide	SR25-AL	43023	.1
Gauge Pin Guide	SR24-AL	43024	.1
Anvil Plate-5 Hole	SR22-AL	43025	1.7
Anvil Plate-8 Hole	SR27-AL	43026	2.5
Anvil Plate Screws	SRPS-AL	43027	.7
Clamp Bar Bolt	SR23-AL	43028	.2
Gauge Pin for 30" Tool	SR2-30-AL	43038	.5
Gauge Pin for 36" Tool	SR2-36-AL	43039	.6
Gauge Pin for 42" Tool	SR2-42-AL	43040	.7
Gauge Pin for 48" Tool	SR2-48-AL	43041	.8
Gauge Pin for 60" Tool	SR2-60-AL	43042	1.0
Gauge Pin for 72" Tool	SR2-72-AL	43043	1.2
Gauge Pin for 84" Tool	SR2-84-AL	43044	1.5
Gauge Pin for 96" Tool	SR2-96-AL	43045	2.0
Clamp Bar Nut W/Screws	SR91-AL	43029	.5
Clamp Bar Assembly for 30" Tool	SR9-30-AL	43030	3.8
Clamp Bar Assembly for 36" Tool	SR9-36-AL	43031	4.1
Clamp Bar Assembly for 42" Tool	SR9-42-AL	43032	5.3
Clamp Bar Assembly for 48" Tool	SR9-48-AL	43033	6.2
Clamp Bar Assembly for 60" Tool	SR9-60-AL	43034	6.8
Clamp Bar Assembly for 72" Tool	SR9-72-AL	43035	7.5
Clamp Bar Assembly for 84" Tool	SR9-84-AL	43036	7.9
Clamp Bar Assembly for 96" Tool	SR9-96-AL	43037	8.5

See Spare Parts Sheet X2090

PARTS REQUIRED TO SPAN THE ENTIRE WIDTH OF SRTA OR MSRT TOOLS

BELT WIDTH		SR700	SR747	SR24	SR25	SR22SA
in.	mm.	MULTIPLE GUIDE BLOCKS	RIVET GUIDE LOCATOR ASSEMBLIES	GAUGE PIN GUIDE	GAUGE PIN GUIDE	ANVIL PLATE COMPLETE
30	750	5	10	4	5	5
36	900	6	12	5	6	6
42	1050	7	14	6	7	7
48	1200	8	16	7	8	8
60	1500	10	20	9	10	10
72	1800	12	24	11	12	12
84	2130	14	28	13	14	14

- Stock Items** (non-shaded) carried in factory inventory.
- Made To Order Items** (shaded) allow one week for production. In most cases, the next standard stock item can be adapted to meet your requirements.
- Non-Listed Items** are available. Request quote for price and delivery.